

Relay 1	Lane 3	LI Run sen
-------------------	------------------	-------------------

2023 Western Cdn Air Gur BC	F	MP
-----------------------------	---	----

14.10.2023	2023 WCAGC Finals AP60M	Alberta Handgun Association
------------	-------------------------	-----------------------------

Comment	Signature
---------	-----------

<p>Sight</p>	<p>1: 9.1 ↗ 2: 10.2 → 3: 8.8 ↗ 4: 7.1 ← 5: 9.8 ↗</p> <p>Series 45.0 0.0</p>	<p>1. Series Finals</p> <p>Series 47.4 47.4</p>	<p>1: 10.5x ↓ 2: 10.1 ↓ 3: 8.2 ↓ 4: 10.3 ↗ 5: 8.3 ↓</p>
<p>2. Series Finals</p>	<p>1: 9.7 → 2: 8.5 ↓ 3: 8.8 ↓ 4: 10.0 ← 5: 9.1 ↓</p> <p>Series 46.1 93.5</p>	<p>3. Series Finals</p> <p>Series 17.7 111.2</p>	<p>1: 9.7 ↑ 2: 8.0 →</p>
<p>4. Series Finals</p>	<p>1: 9.7 ← 2: 9.0 ↗</p> <p>Series 18.7 129.9</p>	<p>5. Series Finals</p> <p>Series 18.9 148.8</p>	<p>1: 9.3 ← 2: 9.6 ↓</p>
<p>6. Series Finals</p>	<p>1: 9.3 ↗ 2: 9.6 ←</p> <p>Series 18.9 167.7</p>		

Relay 1	Lane 4	<h1>LUO Max fangzhi</h1>
-------------------	------------------	--------------------------

2023 Western Cdn Air Gun BC	F	MP
-----------------------------	---	----

14.10.2023	2023 WCAGC Finals AP60M	Alberta Handgun Association
------------	-------------------------	-----------------------------

Comment	Signature	
---------	-----------	--

<p>Sight</p>	<p>1. Series Finals</p>	<p>1: 8.1 ↘ 2: 8.1 ↗ 3: 8.8 → 4: 9.4 → 5: 10.1 ↑ 6: 9.1 → 7: 9.6 ← 8: 9.5 ←</p> <p>1: 9.8 ← 2: 8.1 ↑ 3: 10.4x ← 4: 9.1 → 5: 9.1 ↗</p>
Series 72.7	Series 46.5	
0.0	46.5	

<p>2. Series Finals</p>	<p>3. Series Finals</p>	<p>1: 9.7 ↘ 2: 8.2 ↑ 3: 8.1 ↗ 4: 9.0 → 5: 9.1 ↗</p> <p>1: 7.8 ← 2: 9.4 →</p>
Series 44.1	Series 17.2	
90.6	107.8	

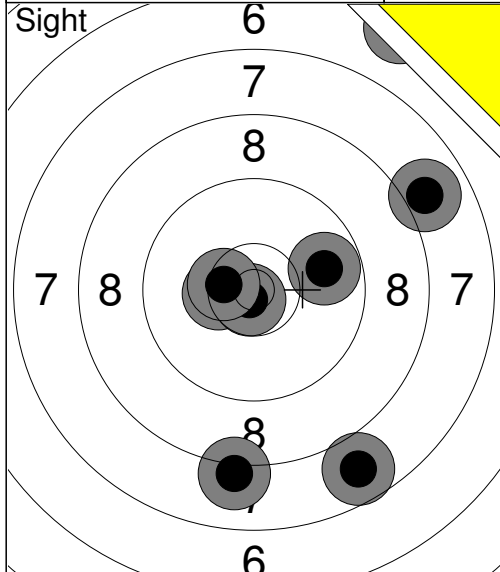
<p>4. Series Finals</p>	<p>5. Series Finals</p>	<p>1: 9.0 → 2: 8.6 ←</p> <p>1: 10.6x ↓ 2: 9.7 →</p>
Series 17.6	Series 20.3	
125.4	145.7	

Relay 1	Lane 5	<h1>KRUEGER Cameron</h1>
-------------------	------------------	--------------------------

2023 Western Cdn Air Gun SK	F	MP
-----------------------------	---	----

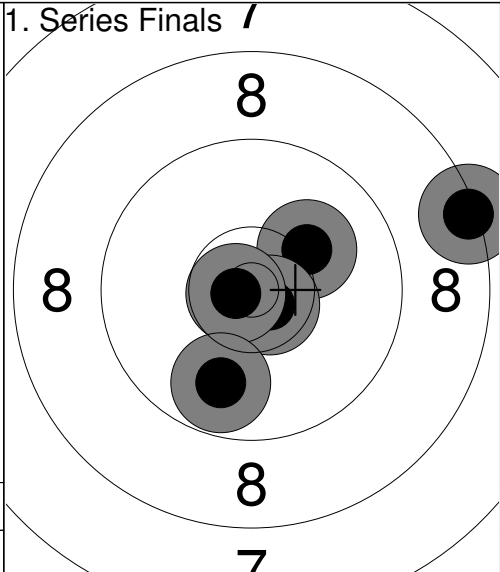
14.10.2023	2023 WCAGC Finals AP60M	Alberta Handgun Association
------------	-------------------------	-----------------------------

Comment	Signature
---------	-----------



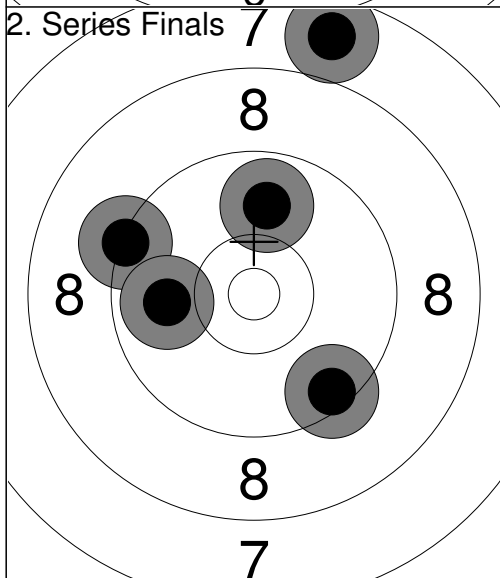
1:	7.7	↘
2:	8.1	↓
3:	6.3	↗
4:	10.4x	←
5:	10.8x	↘
6:	10.5x	←
7:	9.8	→
8:	7.9	↗

Series	71.5
	0.0



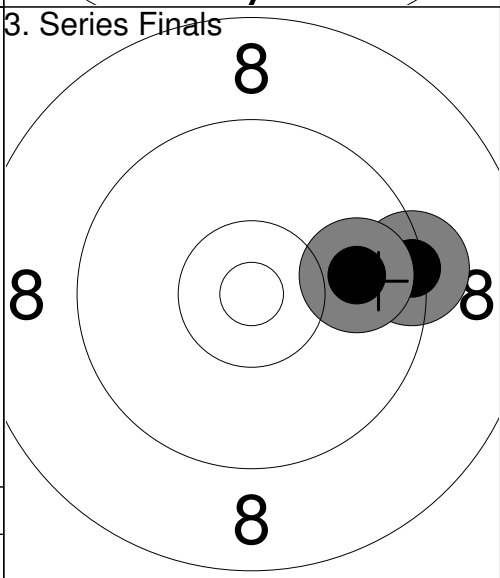
1:	10.2	↗
2:	8.3	→
3:	10.7x	↘
4:	10.8x	←
5:	9.8	↓

Series	49.8
	49.8



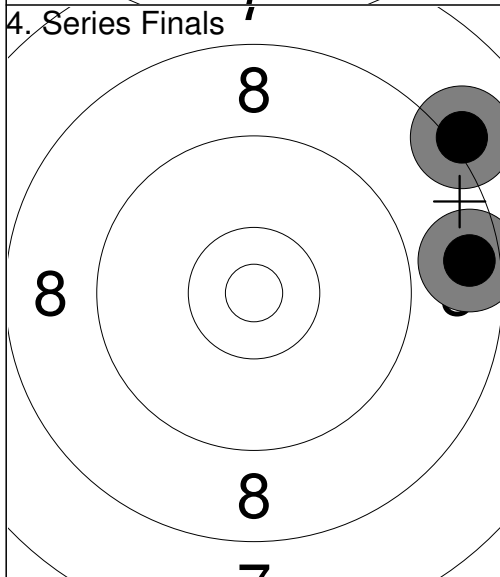
1:	9.9	↑
2:	9.3	←
3:	9.9	←
4:	7.7	↑
5:	9.5	↘

Series	46.3
	96.1



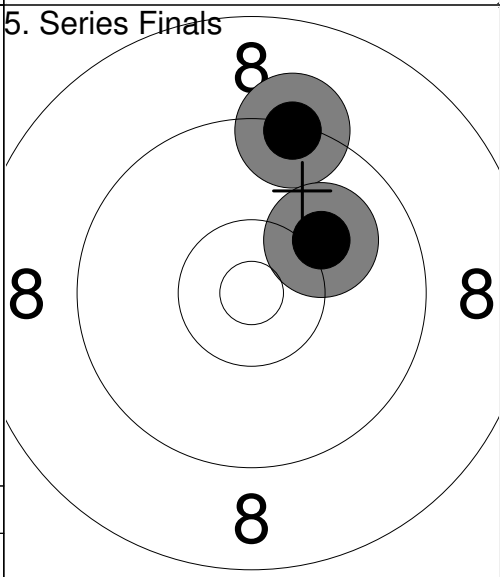
1:	9.4	→
2:	9.9	→

Series	19.3
	115.4



1:	8.1	↗
2:	8.6	→

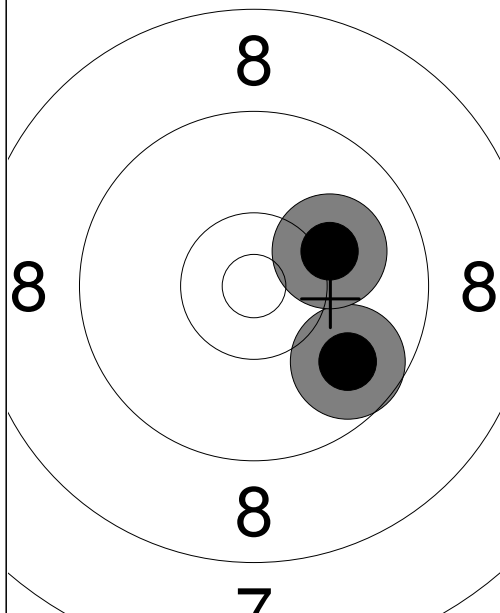
Series	16.7
	132.1



1:	9.3	↑
2:	10.1	↗

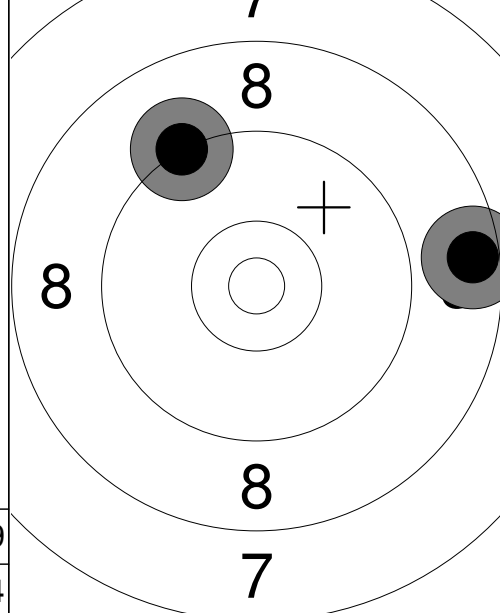
Series	19.4
	151.5

6. Series Finals /



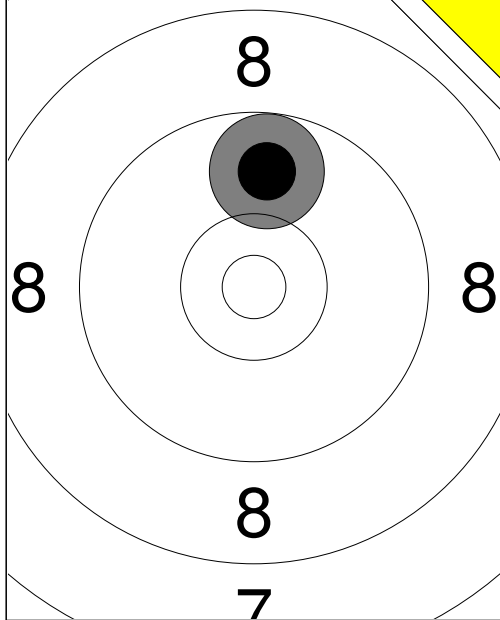
Series	19.9
	171.4

7. Series Finals 7



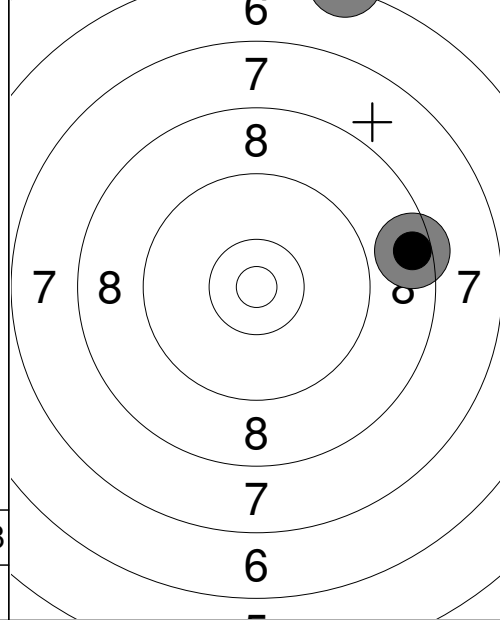
Series	17.7
	189.1

Sh.off Finals 7



Series	9.8
	189.1

8. Series Finals



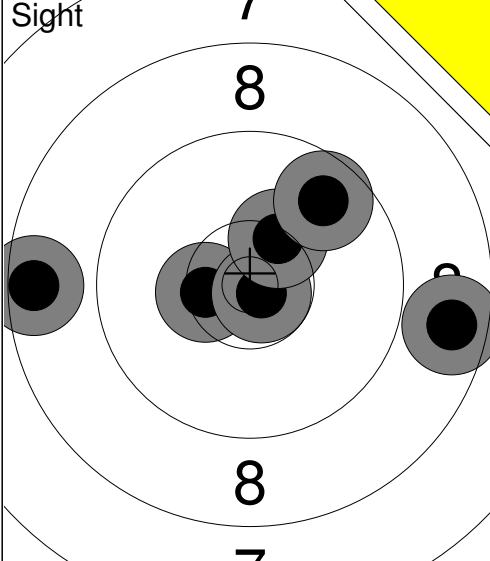
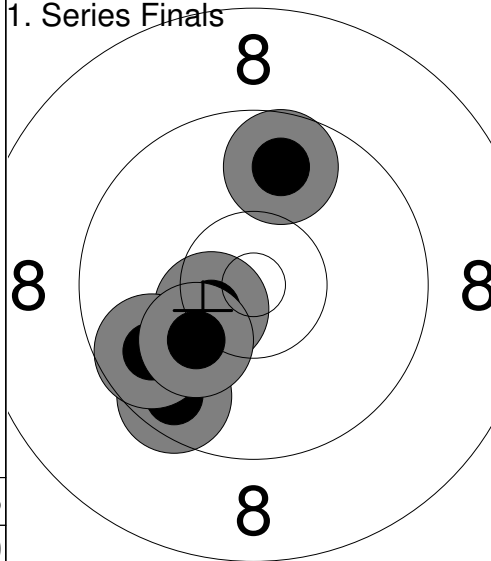
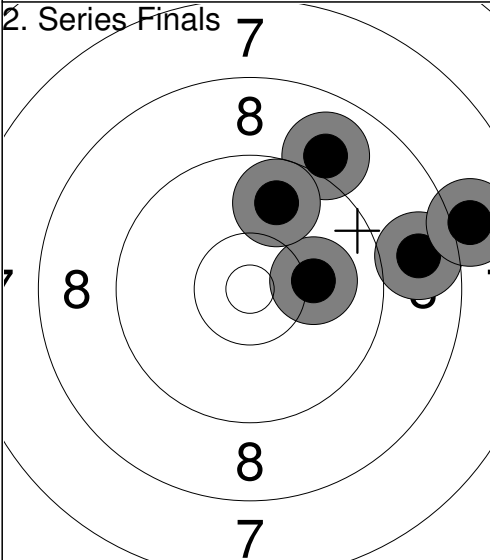
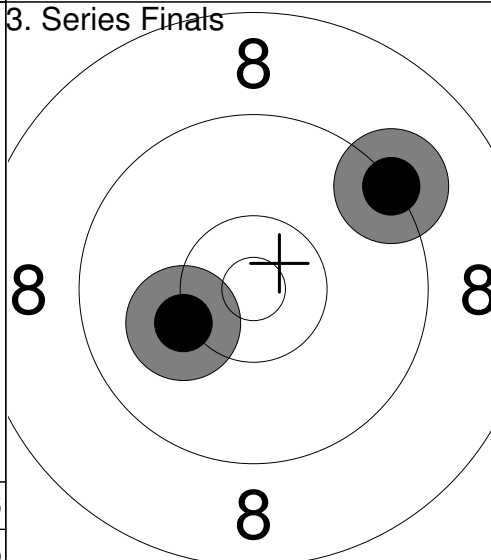
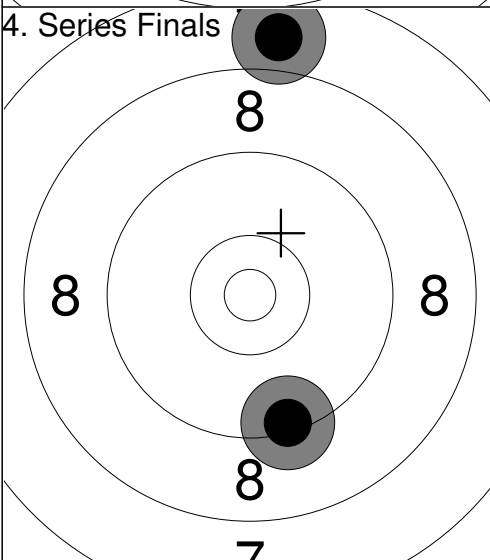
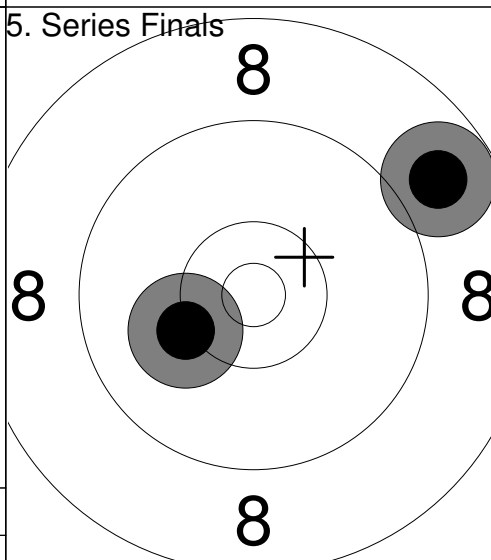
Series	14.6
	203.7

Relay 1	Lane 6	OLSEN Jesse
-------------------	------------------	--------------------

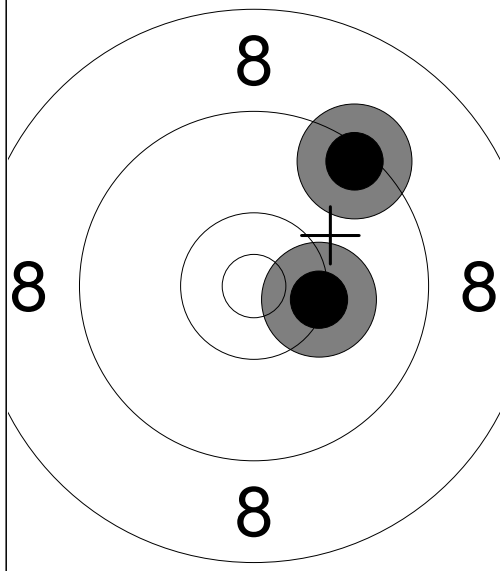
2023 Western Cdn Air Gun SK	F	MP
-----------------------------	---	----

14.10.2023	2023 WCAGC Finals AP60M	Alberta Handgun Association
------------	-------------------------	-----------------------------

Comment	Signature
---------	-----------

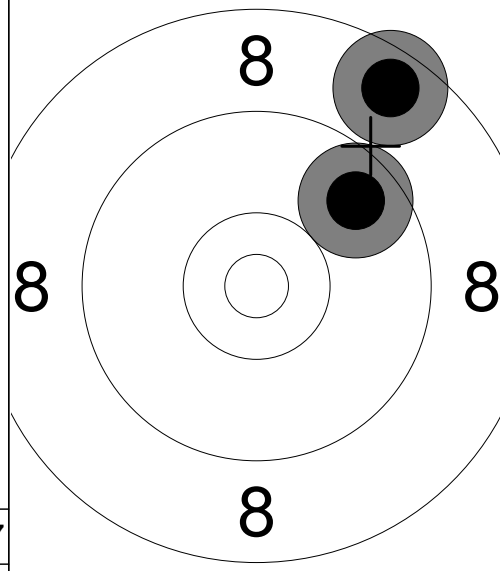
<p>Sight</p> 	<p>1: 8.5 ←</p> <p>2: 10.4x ←</p> <p>3: 10.8x ⇒</p> <p>4: 10.3 ↗</p> <p>5: 9.7 ↗</p> <p>6: 8.6 ⇒</p> <hr/> <p>Series 58.3</p> <p>0.0</p>	<p>1. Series Finals</p> 	<p>1: 9.8 ↗</p> <p>2: 10.5x ↙</p> <p>3: 9.6 ↘</p> <p>4: 9.8 ↙</p> <p>5: 10.2 ↘</p> <hr/> <p>Series 49.9</p> <p>49.9</p>
<p>2. Series Finals</p> 	<p>1: 9.0 ↗</p> <p>2: 8.7 ⇒</p> <p>3: 10.1 ⇒</p> <p>4: 9.8 ↗</p> <p>5: 8.0 ⇒</p> <hr/> <p>Series 45.6</p> <p>95.5</p>	<p>3. Series Finals</p> 	<p>1: 9.3 ↗</p> <p>2: 10.2 ↙</p> <hr/> <p>Series 19.5</p> <p>115.0</p>
<p>4. Series Finals</p> 	<p>1: 7.8 ↗</p> <p>2: 9.3 ↘</p> <hr/> <p>Series 17.1</p> <p>132.1</p>	<p>5. Series Finals</p> 	<p>1: 8.8 ↗</p> <p>2: 10.2 ↙</p> <hr/> <p>Series 19.0</p> <p>151.1</p>

6. Series Finals /



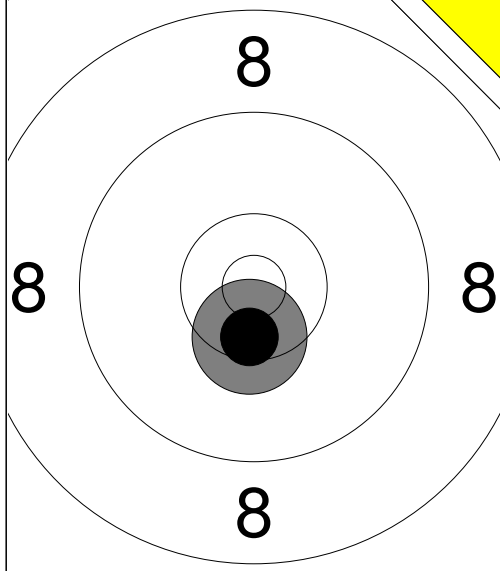
Series 19.7
170.8

7. Series Finals /



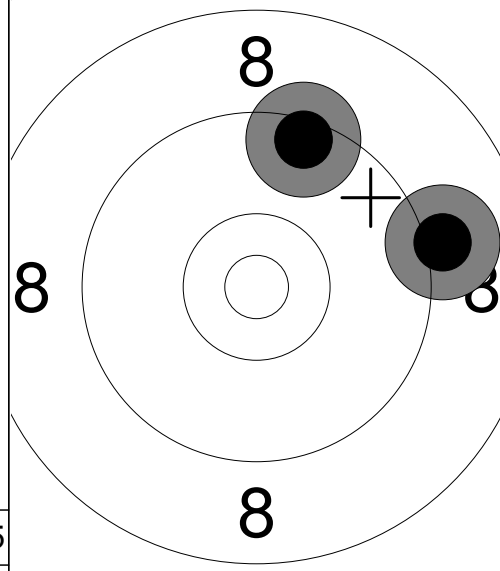
Series 18.3
189.1

Sh.off Finals



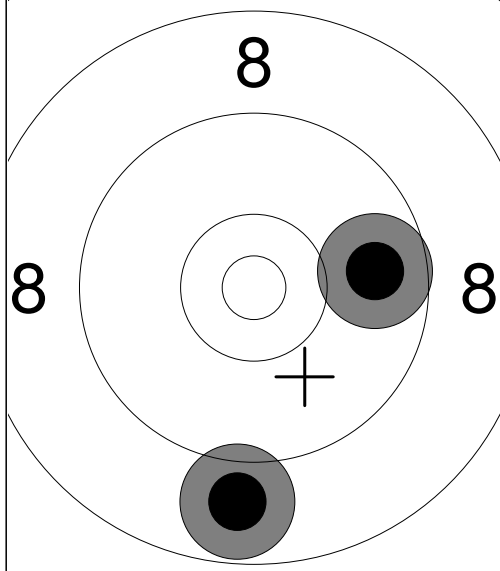
Series 10.5
189.1

8. Series Finals /



Series 18.5
207.6

9. Series Finals /



Series 18.6
226.2

1: 9.4 ↗
2: 10.3 →

1: 8.6 ↗
2: 9.7 ↗

1: 10.5x ↓

1: 9.1 →
2: 9.4 ↗

1: 9.8 →
2: 8.8 ↓

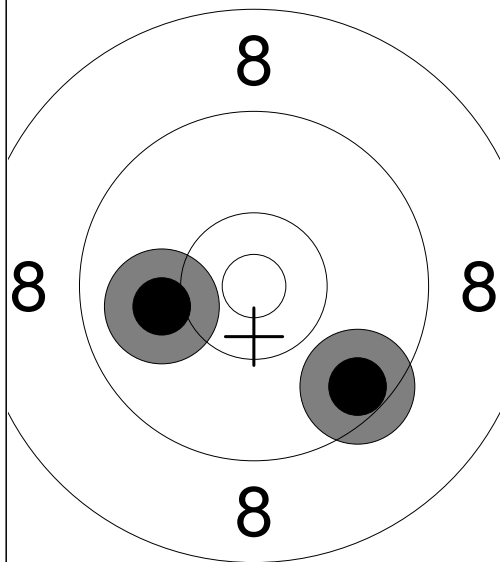
Comment	Signature		
---------	-----------	--	--

<p>Sight</p>	<p>1: 10.0 ↗ 2: 9.3 ↓ 3: 8.2 → 4: 10.3 ↗ 5: 9.7 ↓ 6: 9.5 ↓ 7: 10.3 →</p> <p>Series 67.3 0.0</p>	<p>1. Series Finals</p> <p>Series 49.3 49.3</p>
--------------	---	---

<p>2. Series Finals</p> <p>Series 47.6 96.9</p>	<p>3. Series Finals</p> <p>Series 20.4 117.3</p>	<p>1: 10.2 ↖ 2: 8.8 ↗ 3: 9.3 ↗ 4: 8.5 ↗ 5: 10.8x ↖</p> <p>1: 10.5x ↗ 2: 9.9 ←</p>
---	--	---

<p>4. Series Finals</p> <p>Series 20.5 137.8</p>	<p>5. Series Finals</p> <p>Series 18.7 156.5</p>	<p>1: 10.4x ↖ 2: 10.1 ↖</p> <p>1: 9.1 ↖ 2: 9.6 ↖</p>
--	--	--

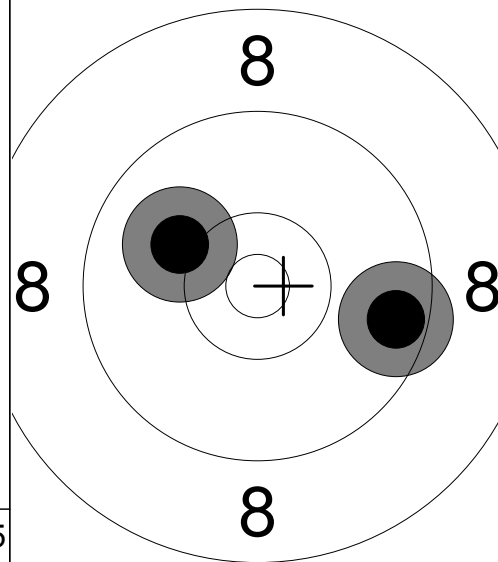
6. Series Finals /



Series	19.5
	176.0

1: 10.0 ←
2: 9.5 ↘

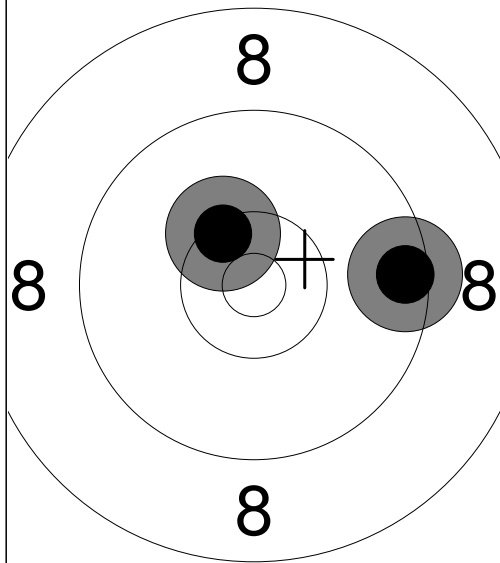
7. Series Finals /



Series	19.6
	195.6

1: 9.5 →
2: 10.1 ↖

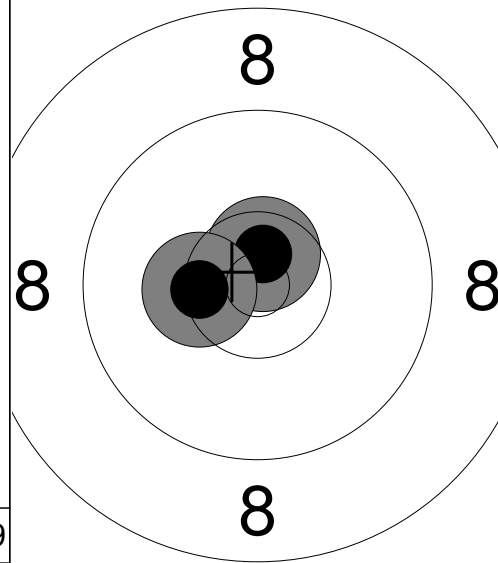
8. Series Finals /



Series	19.9
	215.5

1: 9.5 →
2: 10.4x ↙

9. Series Finals /



Series	21.0
	236.5

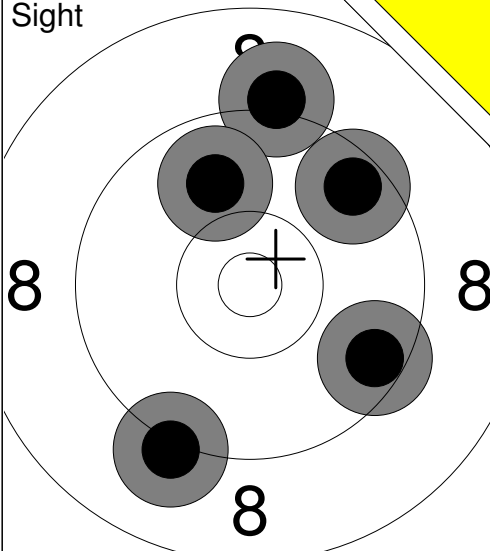
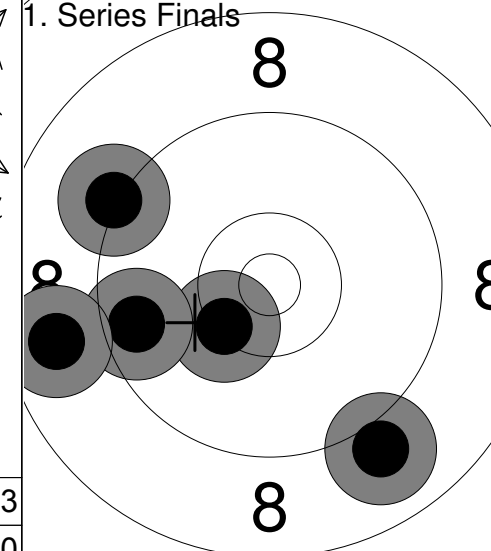
1: 10.6x ↑
2: 10.4x ←

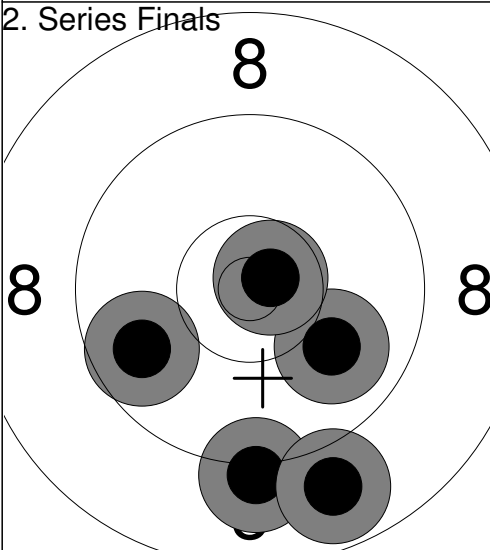
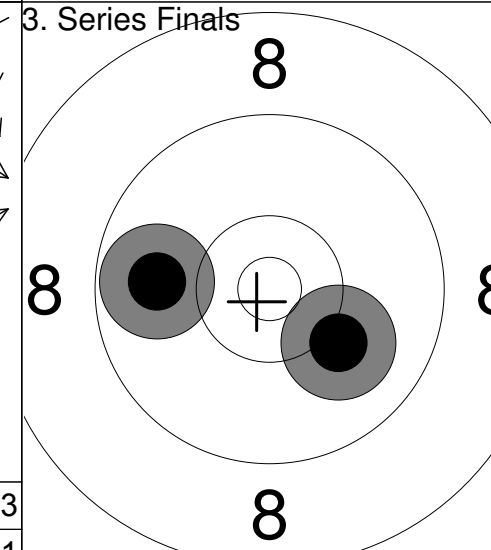
Relay 1	Lane 8	FU Daniel yuhui
-------------------	------------------	------------------------

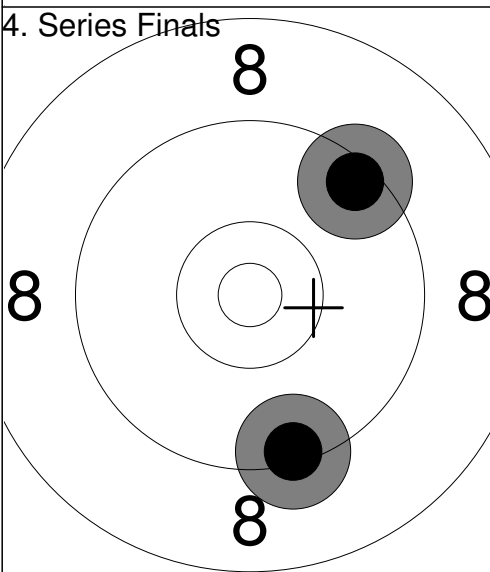
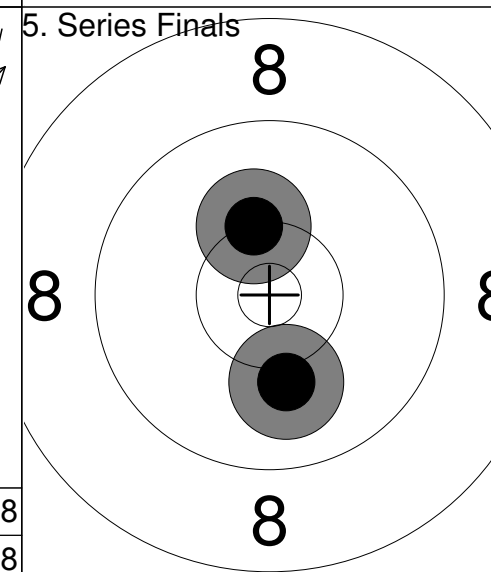
2023 Western Cdn Air Gur BC	F	MP
-----------------------------	---	----

14.10.2023	2023 WCAGC Finals AP60M	Alberta Handgun Association
------------	-------------------------	-----------------------------

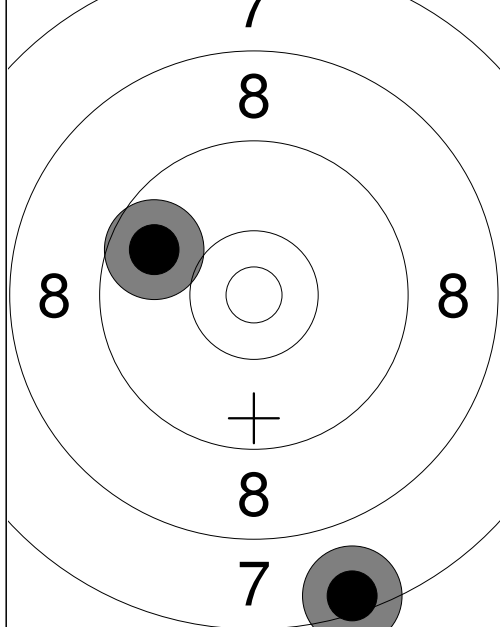
Comment	Signature
---------	-----------

<p>Sight</p> 	<p>1: 9.6 ↗ 2: 9.1 ↑ 3: 9.9 ↑ 4: 9.5 → 5: 9.2 ↓</p>	<p>1. Series Finals</p> 	<p>1: 10.3 ↙ 2: 9.2 ↖ 3: 9.6 ← 4: 8.7 ← 5: 9.0 ↓</p>
Series 47.3		Series 46.8	
0.0		46.8	

<p>2. Series Finals</p> 	<p>1: 9.7 ↖ 2: 9.1 ↓ 3: 8.8 ↓ 4: 10.0 → 5: 10.7x ↗</p>	<p>3. Series Finals</p> 	<p>1: 10.1 → 2: 9.8 ←</p>
Series 48.3		Series 19.9	
95.1		115.0	

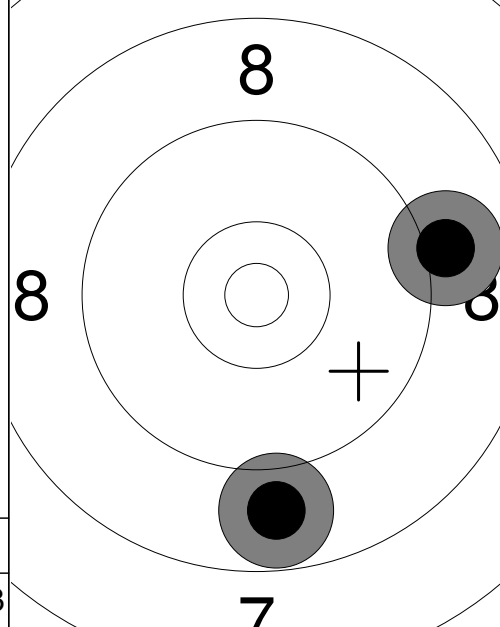
<p>4. Series Finals</p> 	<p>1: 9.4 ↓ 2: 9.4 ↗</p>	<p>5. Series Finals</p> 	<p>1: 10.1 ↓ 2: 10.3 ↑</p>
Series 18.8		Series 20.4	
133.8		154.2	

6. Series Finals



Series	17.1
	171.3

7. Series Finals

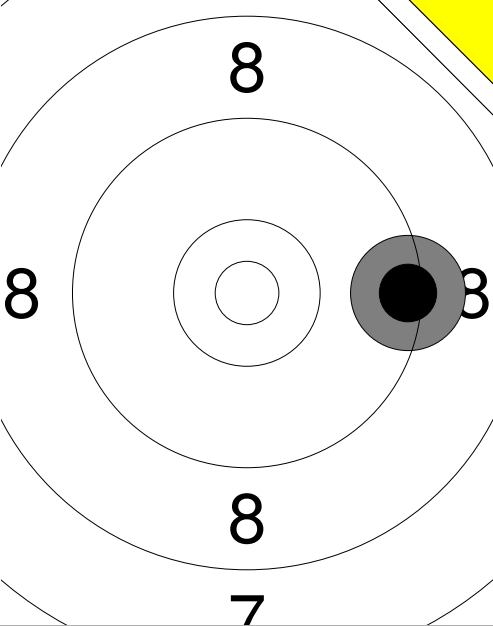


Series	17.8
	189.1

1: 9.7 ←
2: 7.4 ↓

1: 8.8 ↓
2: 9.0 →

Sh.off Finals



1: 9.4 →

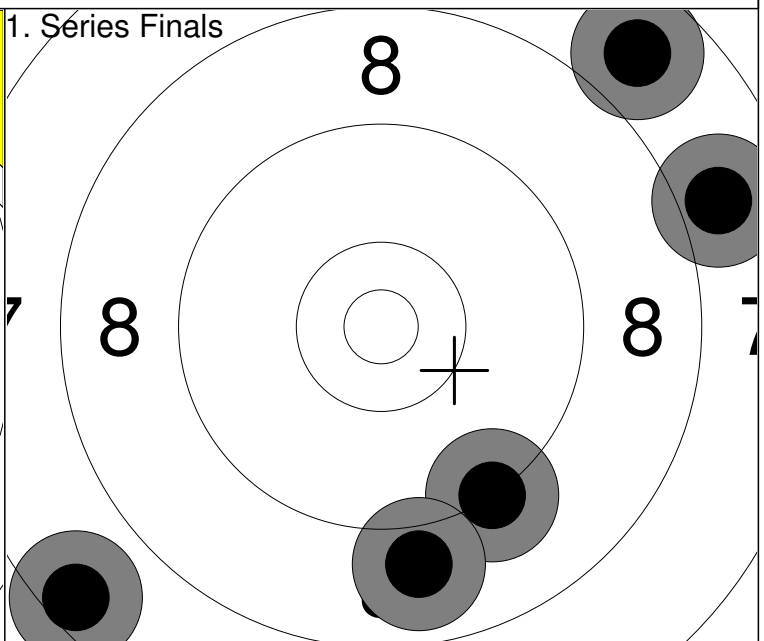
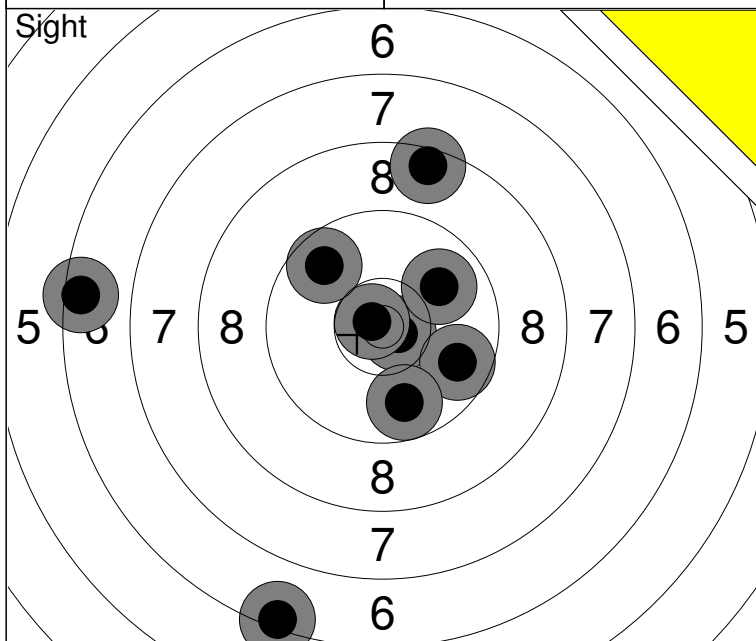
Series	9.4
	189.1

Relay 1	Lane 9	ZHOU Mo
-------------------	------------------	----------------

2023 Western Cdn Air Gun BC	F	MP
-----------------------------	---	----

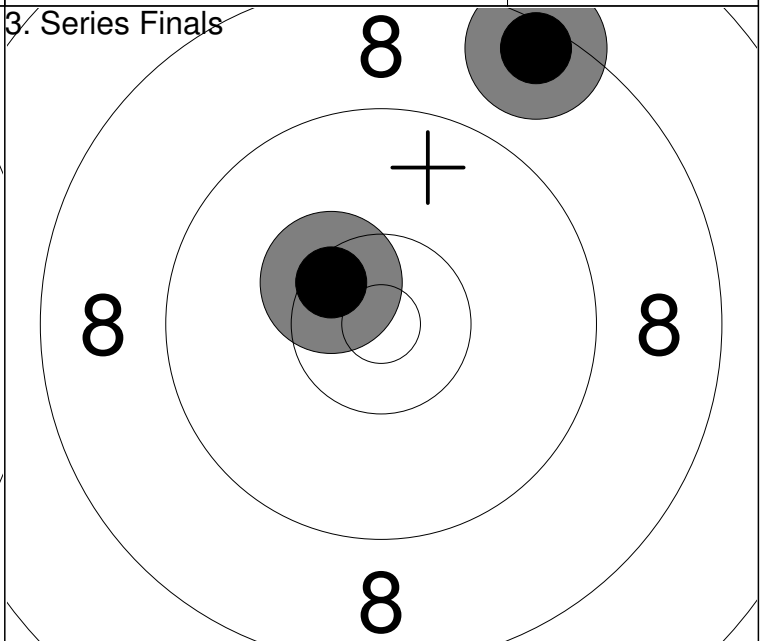
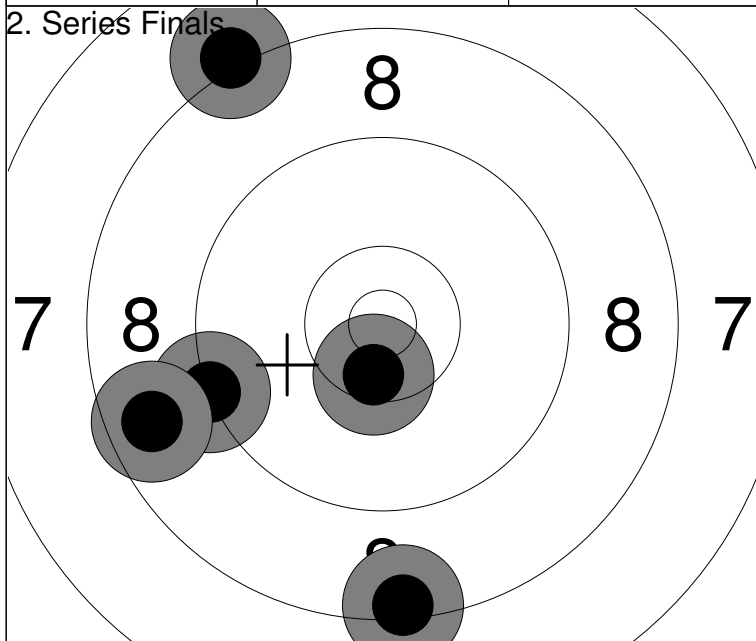
14.10.2023	2023 WCAGC Finals AP60M	Alberta Handgun Association
------------	-------------------------	-----------------------------

Comment	Signature
---------	-----------



1: 10.7x →	6: 10.8x ↖	Series	82.0
2: 8.5 ↑	7: 9.8 ↓		
3: 9.7 →	8: 6.4 ↓		
4: 6.5 ←	9: 9.7 ↗		
5: 9.9 ↗			
		0.0	

1: 9.2 ↓	Series	41.3
2: 8.9 ↓		
3: 7.8 ↗		
4: 7.9 →		
5: 7.5 ↘		
		41.3



1: 8.1 ↖	Series	44.8
2: 9.2 ←		
3: 8.6 ←		
4: 10.5x ↓		
5: 8.4 ↓		
		86.1

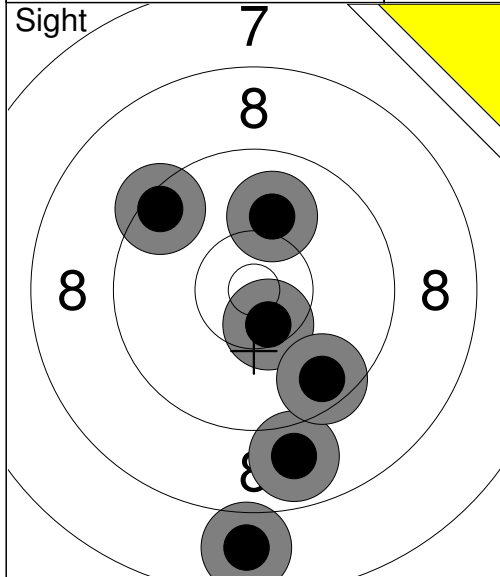
1: 10.4x ↖	Series	18.8
2: 8.4 ↗		
		104.9

Relay 1	Lane 10	DU Max
-------------------	-------------------	---------------

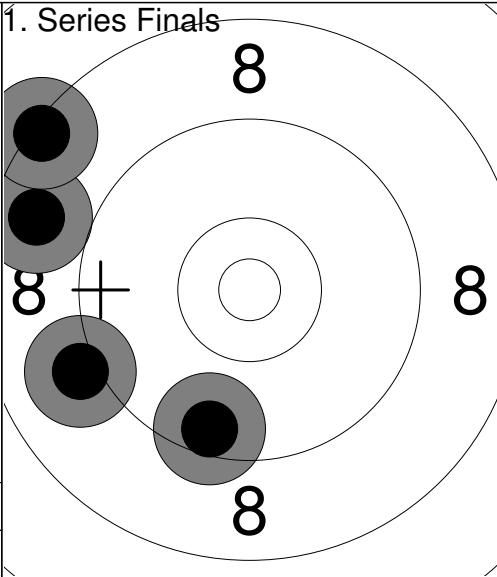
2023 Western Cdn Air Gun AB	F	MP
-----------------------------	---	----

14.10.2023	2023 WCAGC Finals AP60M	Alberta Handgun Association
------------	-------------------------	-----------------------------

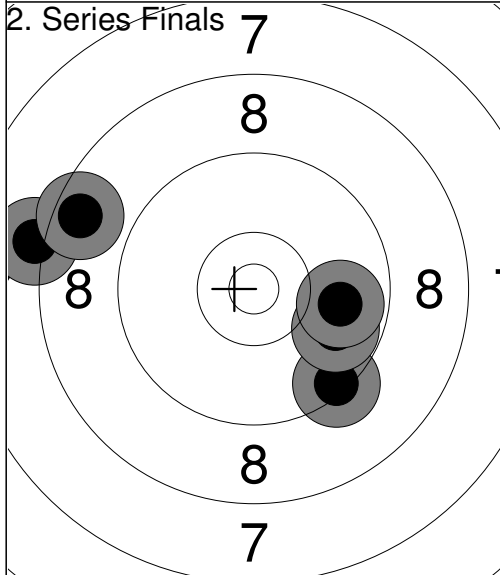
Comment	Signature
---------	-----------



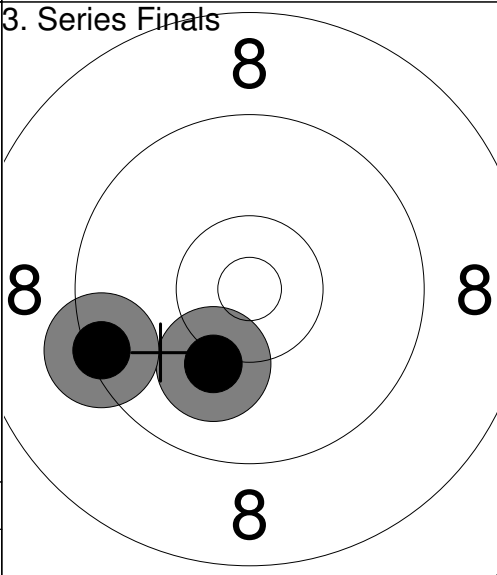
1:	10.0	↑
2:	9.4	↗
3:	8.9	↓
4:	10.5x	↓
5:	7.8	↓
6:	9.6	↓
Series		56.2
		0.0



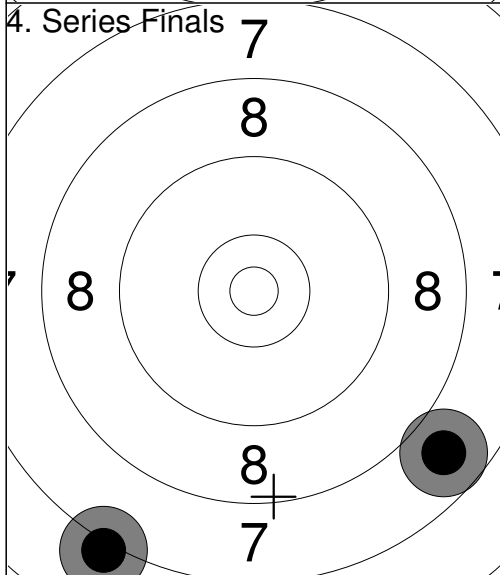
1:	4.5	
2:	9.1	←
3:	8.7	←
4:	8.3	↗
5:	9.5	↓
Series		40.1
		40.1



1:	9.4	↓
2:	9.8	→
3:	9.8	→
4:	8.1	←
5:	8.6	←
Series		45.7
		85.8



1:	10.1	↓
2:	9.4	←
Series		19.5
		105.3



1:	7.8	↓
2:	7.1	↓
Series		14.9
		120.2