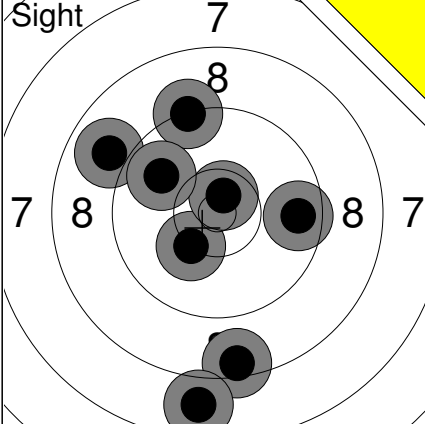
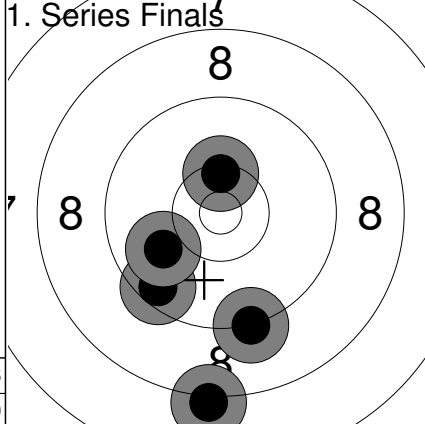
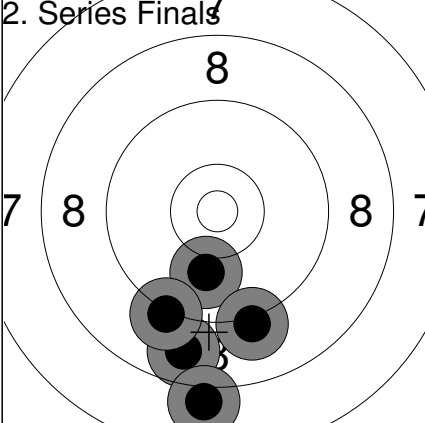
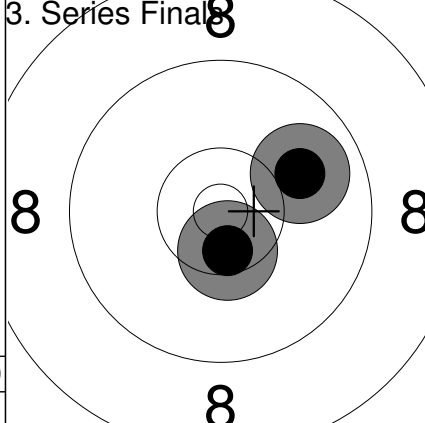
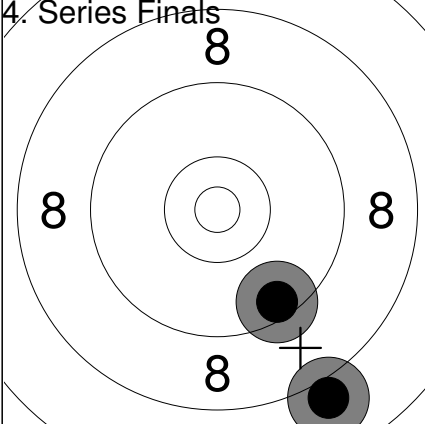
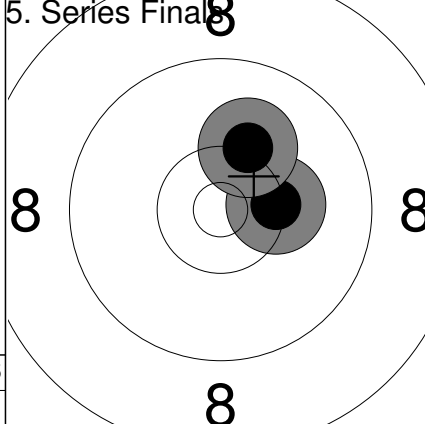
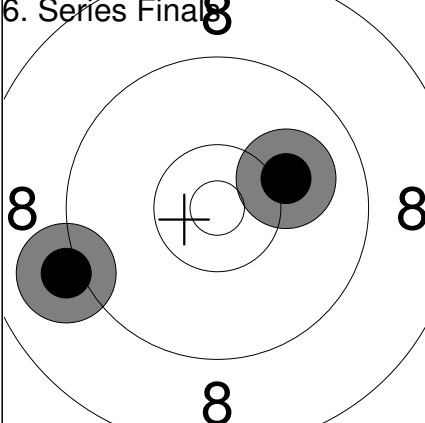
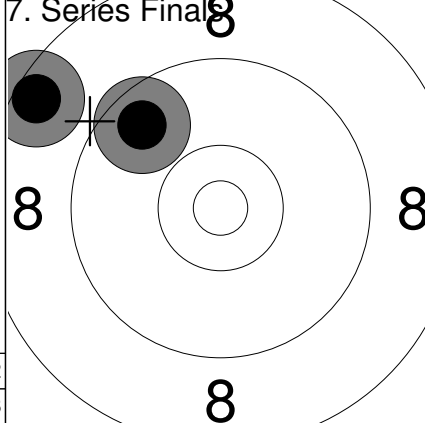


Relay 1	Lane 12	ZHANG Zhuang
-------------------	-------------------	---------------------

AHA Maple Leaf Open	BC	F	MP
---------------------	----	---	----

03.05.2026	2026 AHA F AP60M	Alberta Handgun Association
------------	------------------	-----------------------------

Comment	Signature
---------	-----------

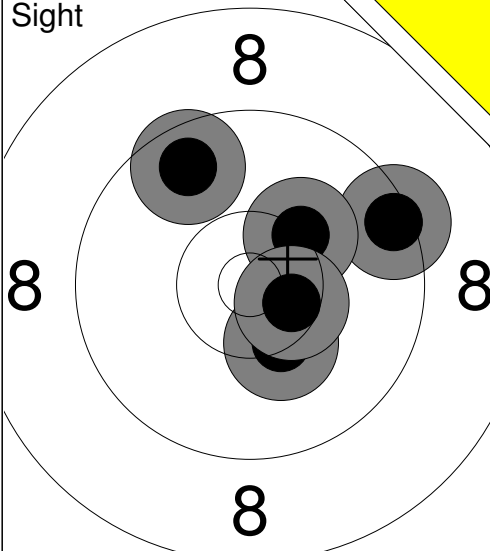
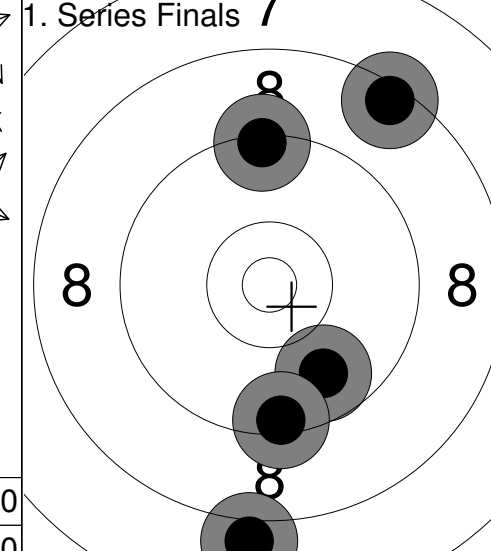
<p>Sight</p> 	<p>1: 8.9 ↖ 2: 10.3 ↙ 3: 8.5 ↓ 4: 9.2 ↑ 5: 7.8 ↓ 6: 10.7x → 7: 9.8 ↗ 8: 9.6 →</p> <p>Series 74.8 0.0</p>	<p>1. Series Finals</p> 	<p>1: 9.5 ↙ 2: 10.4x ↑ 3: 9.2 ↓ 4: 9.9 ↖ 5: 8.1 ↓</p> <p>Series 47.1 47.1</p>
<p>2. Series Finals</p> 	<p>1: 10.0 ↓ 2: 8.7 ↓ 3: 9.2 ↓ 4: 8.0 ↓ 5: 9.1 ↓</p> <p>Series 45.0 92.1</p>	<p>3. Series Finals</p> 	<p>1: 10.0 → 2: 10.5x ↓</p> <p>Series 20.5 112.6</p>
<p>4. Series Finals</p> 	<p>1: 9.5 ↘ 2: 8.0 ↘</p> <p>Series 17.5 130.1</p>	<p>5. Series Finals</p> 	<p>1: 10.3 → 2: 10.2 ↑</p> <p>Series 20.5 150.6</p>
<p>6. Series Finals</p> 	<p>1: 10.1 → 2: 9.1 ←</p> <p>Series 19.2 169.8</p>	<p>7. Series Finals</p> 	<p>1: 8.5 ↖ 2: 9.6 ↗</p> <p>Series 18.1 187.9</p>

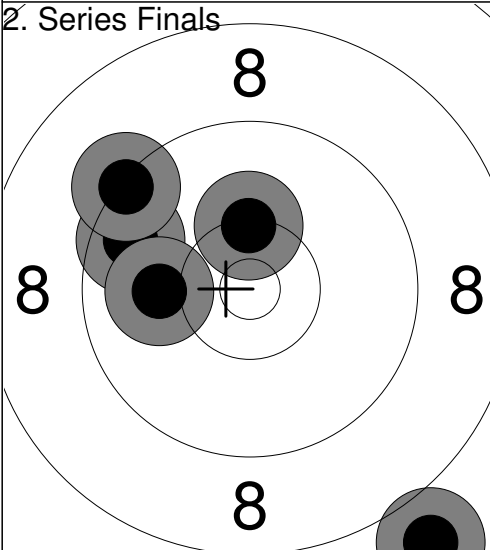
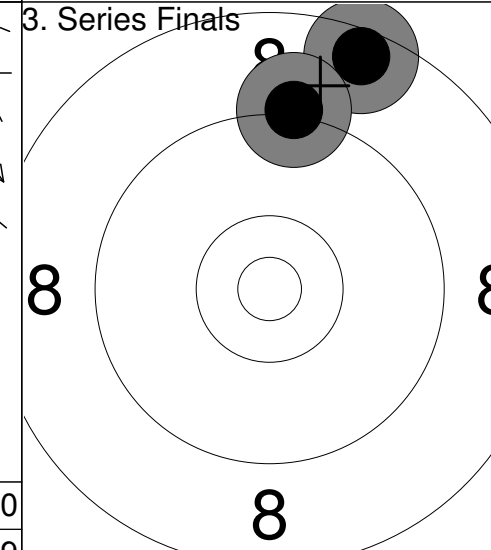
Relay 1	Lane 13	KRUEGER Cameron
-------------------	-------------------	------------------------

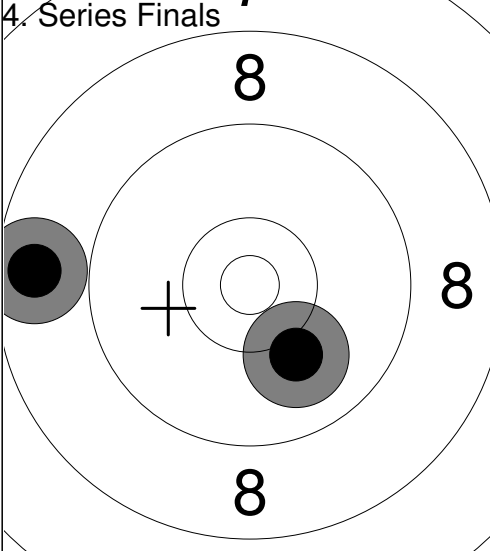
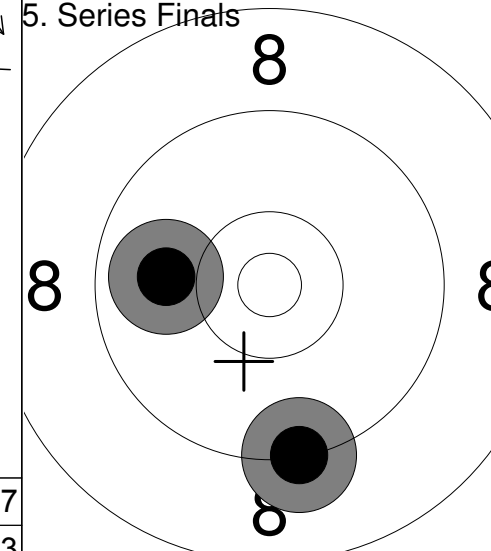
AHA Maple Leaf Open	SK	F	MP
---------------------	----	---	----

03.05.2026	2026 AHA F AP60M	Alberta Handgun Association
------------	------------------	-----------------------------

Comment	Signature
---------	-----------

<p>Sight</p> 	<p>1: 9.4 → 2: 10.3 ↓ 3: 9.6 ↗ 4: 10.2 ↗ 5: 10.5x →</p>	<p>1. Series Finals /</p> 	<p>1: 9.8 ↓ 2: 8.0 ↓ 3: 9.3 ↑ 4: 9.4 ↓ 5: 8.4 ↗</p>
Series 50.0		Series 44.9	
0.0		44.9	

<p>2. Series Finals</p> 	<p>1: 9.6 ← 2: 10.0 ← 3: 10.3 ↑ 4: 7.8 ↓ 5: 9.3 ↗</p>	<p>3. Series Finals</p> 	<p>1: 8.5 ↑ 2: 9.2 ↑</p>
Series 47.0		Series 17.7	
91.9		109.6	

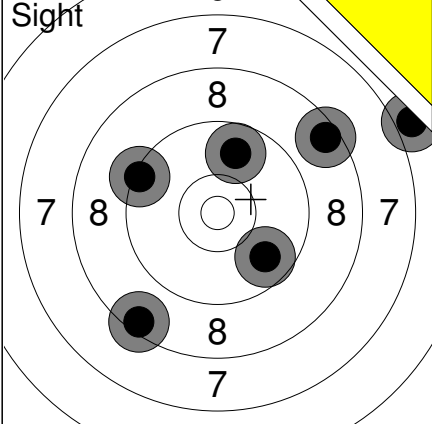
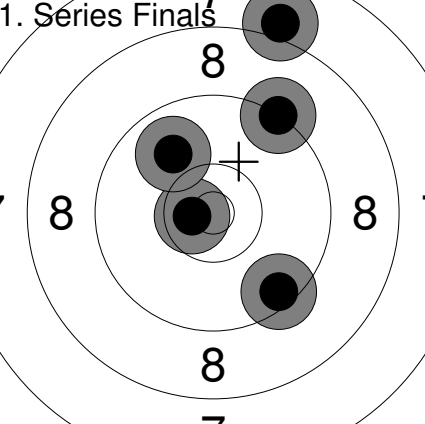
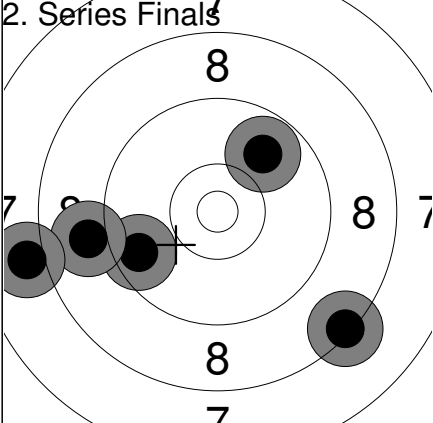
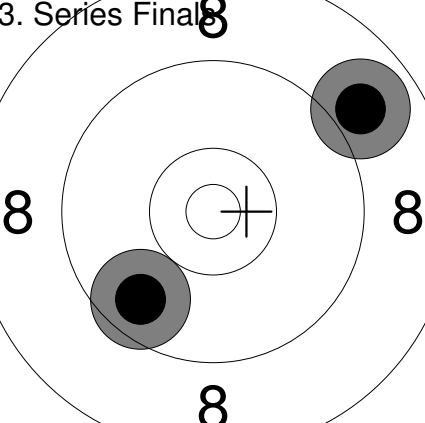
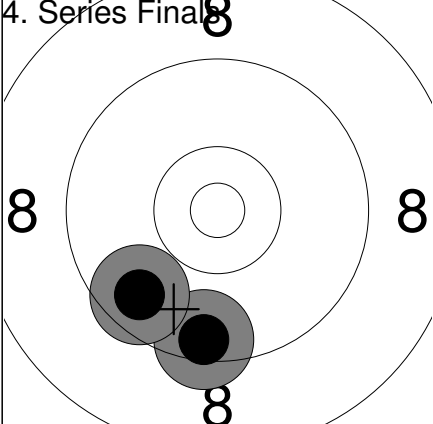
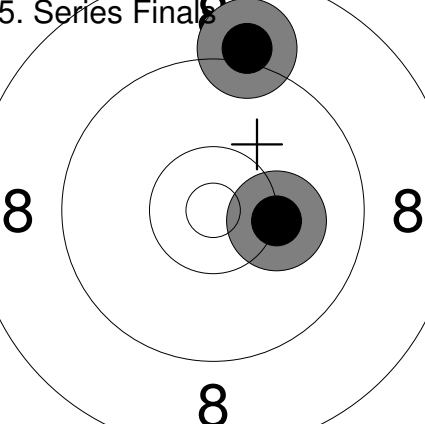
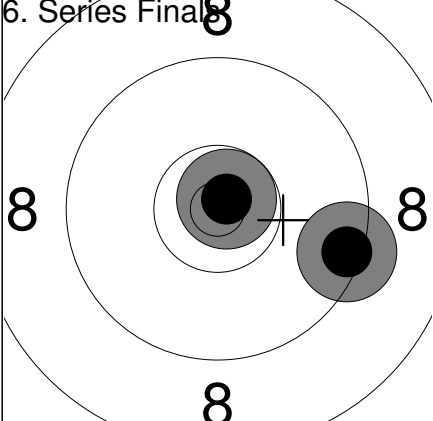
<p>4. Series Finals</p> 	<p>1: 10.1 ↓ 2: 8.6 ←</p>	<p>5. Series Finals</p> 	<p>1: 9.3 ↓ 2: 9.9 ←</p>
Series 18.7		Series 19.2	
128.3		147.5	

Relay 1	Lane 14	NORMAN Seth	
-------------------	-------------------	--------------------	--

AHA Maple Leaf Open	SK	F	MP
---------------------	----	---	----

03.05.2026	2026 AHA F AP60M	Alberta Handgun Association
------------	------------------	-----------------------------

Comment	Signature
---------	-----------

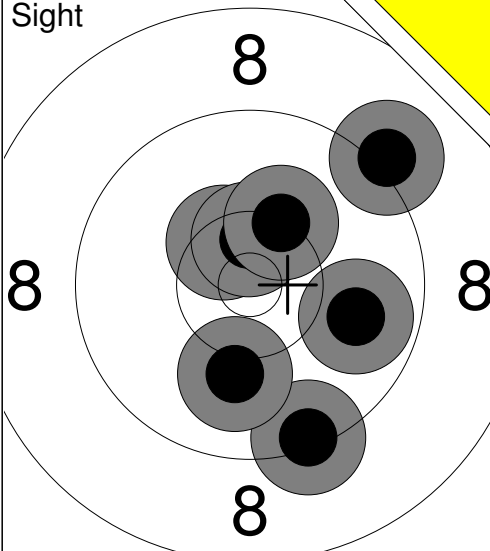
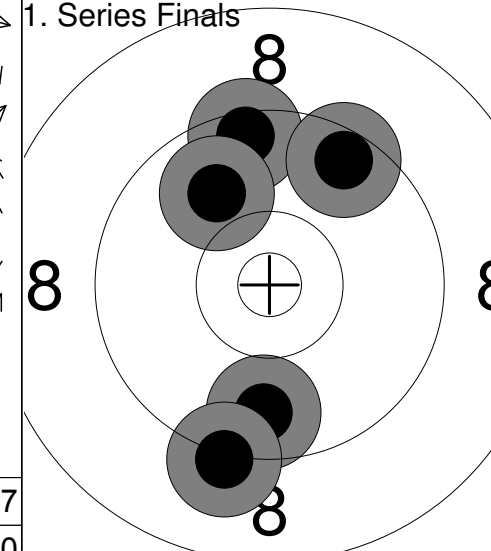
Sight 	1: 6.9 → 2: 8.5 ↗ 3: 8.4 ↘ 4: 9.8 ↑ 5: 9.7 ↘ 6: 9.3 ↖	1. Series Finals 	1: 8.0 ↑ 2: 9.2 ↗ 3: 10.6x ← 4: 9.5 ↘ 5: 9.9 ↗
	Series 52.6 0.0		Series 47.2 47.2
2. Series Finals 	1: 9.6 ← 2: 9.8 ↗ 3: 8.3 ↘ 4: 9.0 ← 5: 8.0 ←	3. Series Finals 	1: 8.9 ↗ 2: 9.7 ↘
	Series 44.7 91.9		Series 18.6 110.5
4. Series Finals 	1: 9.5 ↓ 2: 9.6 ↘	5. Series Finals 	1: 10.2 → 2: 9.1 ↑
	Series 19.1 129.6		Series 19.3 148.9
6. Series Finals 	1: 10.8x ↗ 2: 9.4 →		
	Series 20.2 169.1		

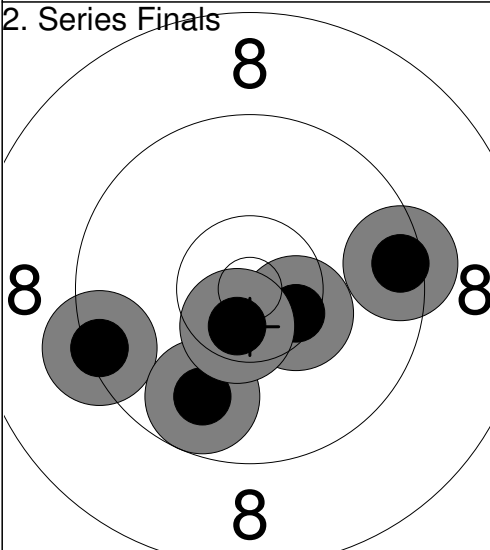
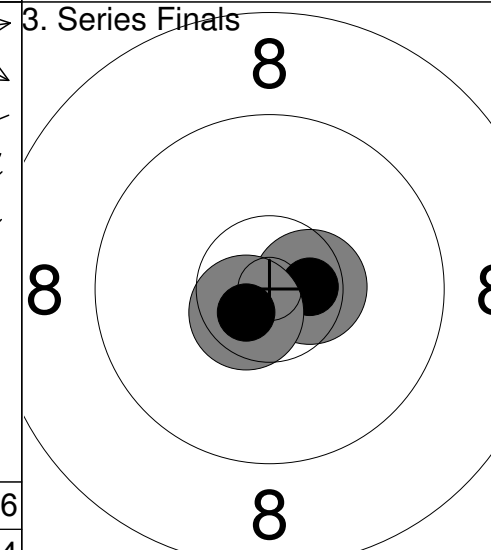
Relay 1	Lane 15	OZER Tugrul
-------------------	-------------------	--------------------

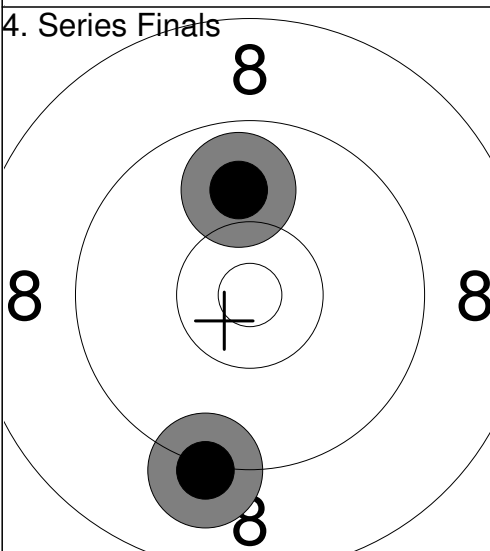
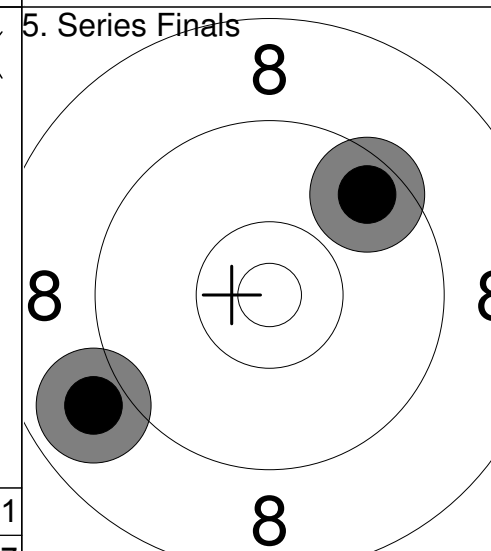
AHA Maple Leaf Open	AB	F	MP
---------------------	----	---	----

03.05.2026	2026 AHA F AP60M	Alberta Handgun Association
------------	------------------	-----------------------------

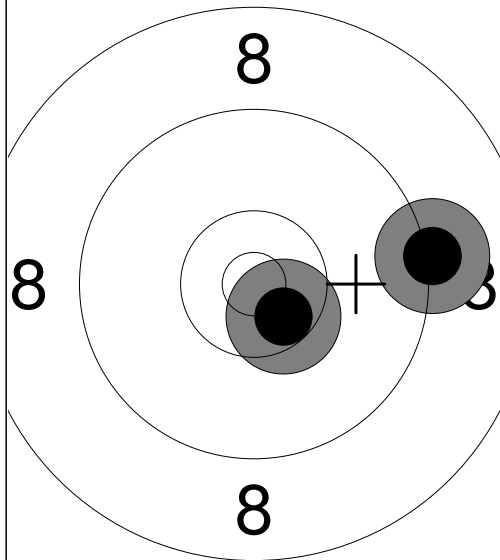
Comment	Signature
---------	-----------

<p>Sight</p> 	<p>1: 9.9 → 2: 9.3 ↓ 3: 9.1 ↗ 4: 10.5x ↖ 5: 10.5x ↑ 6: 10.1 ↓ 7: 10.3 ↗</p>	<p>1. Series Finals</p> 
Series 69.7		Series 47.8
0.0		47.8

<p>2. Series Finals</p> 	<p>1: 9.4 → 2: 10.4x → 3: 9.4 ← 4: 9.8 ↓ 5: 10.6x ↓</p>	<p>3. Series Finals</p> 
Series 49.6		Series 21.2
97.4		118.6

<p>4. Series Finals</p> 	<p>1: 9.2 ↓ 2: 9.9 ↑</p>	<p>5. Series Finals</p> 
Series 19.1		Series 18.5
137.7		156.2

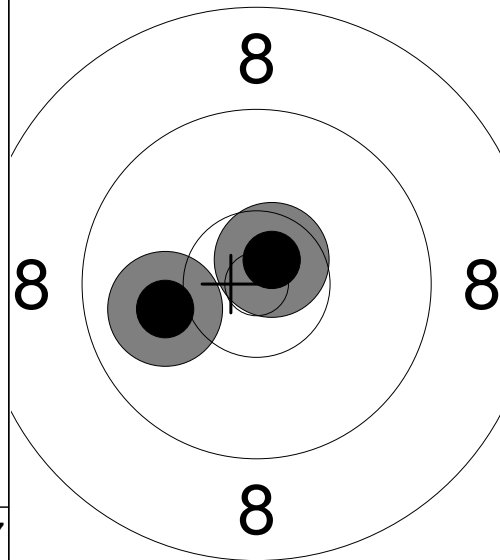
6. Series Finals /



1: 10.5x ↘
2: 9.2 →

Series 19.7
175.9

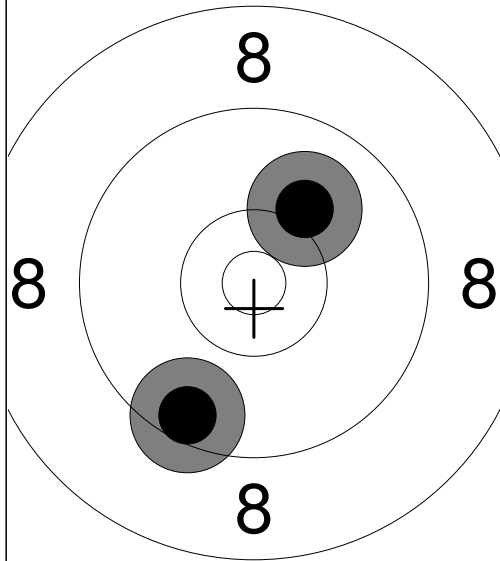
7. Series Finals /



1: 10.0 ←
2: 10.7x ↗

Series 20.7
196.6

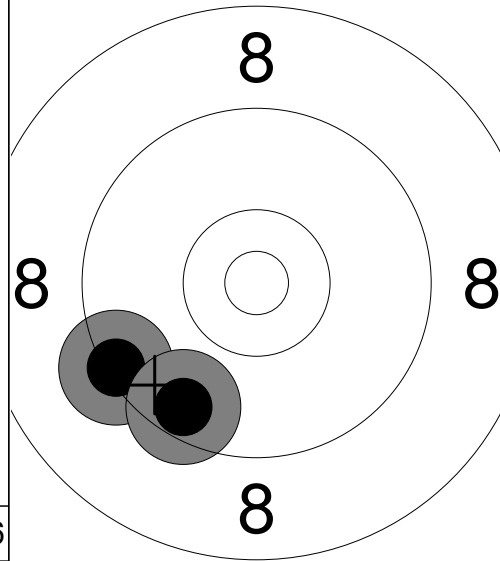
8. Series Finals /



1: 10.1 ↗
2: 9.5 ↘

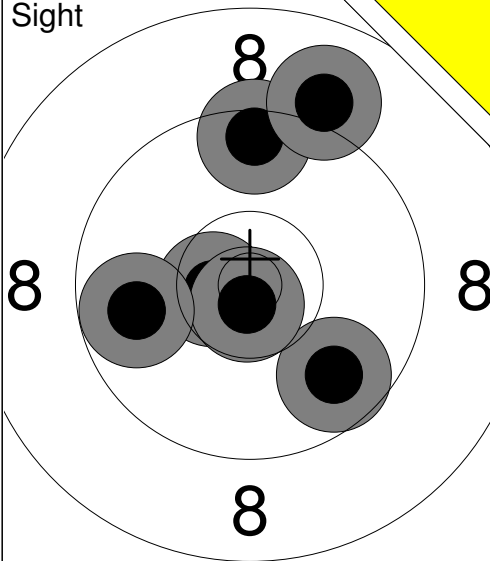
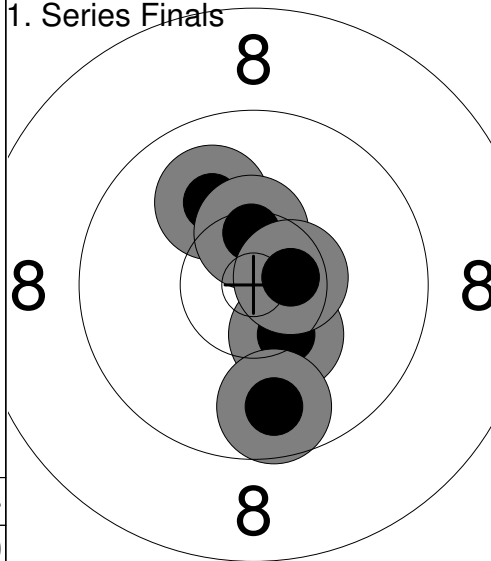
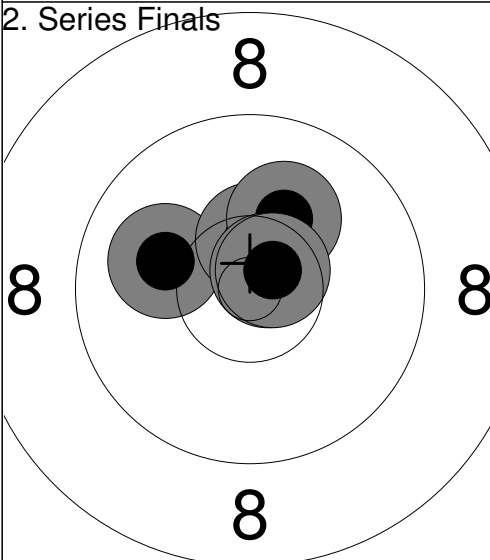
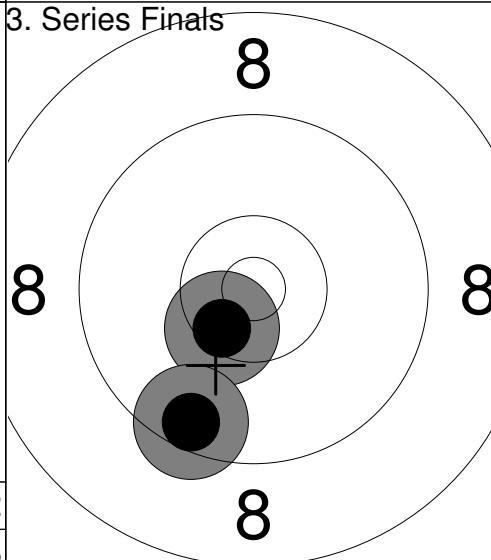
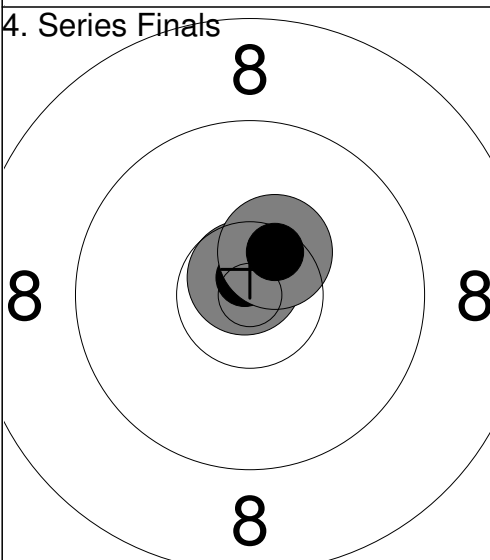
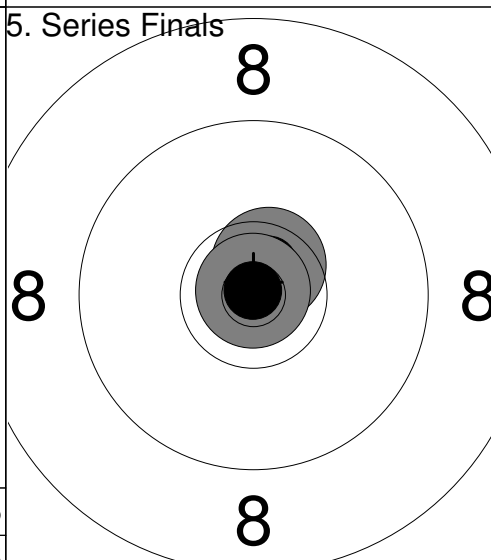
Series 19.6
216.2

9. Series Finals /

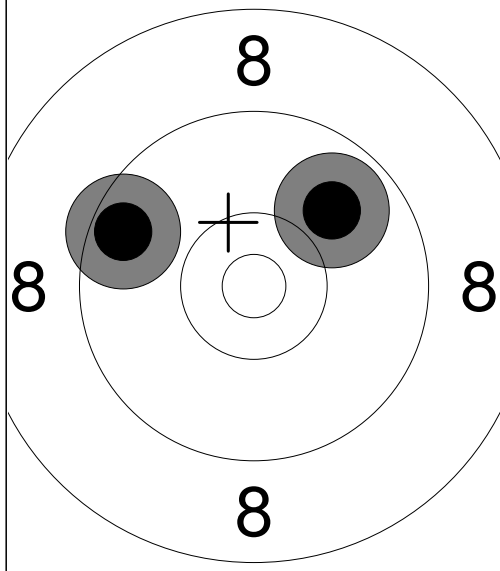


1: 9.3 ↙
2: 9.5 ↘

Series 18.8
235.0

<p>Sight</p>  <p style="text-align: center;">8</p>	<p>1: 10.6x ←</p> <p>2: 9.7 ↘</p> <p>3: 9.5 ↑</p> <p>4: 10.8x ↓</p> <p>5: 9.0 ↑</p> <p>6: 9.8 ←</p> <hr/> <p>Series 59.4</p> <p style="text-align: right;">0.0</p>	<p>1. Series Finals</p>  <p style="text-align: center;">8</p>	<p>1: 10.4x ↘</p> <p>2: 10.0 ↗</p> <p>3: 10.4x ↑</p> <p>4: 9.7 ↓</p> <p>5: 10.6x →</p> <hr/> <p>Series 51.1</p> <p style="text-align: right;">51.1</p>
<p>2. Series Finals</p>  <p style="text-align: center;">8</p>	<p>1: 10.1 ←</p> <p>2: 10.5x ↑</p> <p>3: 10.2 ↑</p> <p>4: 10.7x ↗</p> <p>5: 10.7x ↗</p> <hr/> <p>Series 52.2</p> <p style="text-align: right;">103.3</p>	<p>3. Series Finals</p>  <p style="text-align: center;">8</p>	<p>1: 10.4x ↘</p> <p>2: 9.5 ↘</p> <hr/> <p>Series 19.9</p> <p style="text-align: right;">123.2</p>
<p>4. Series Finals</p>  <p style="text-align: center;">8</p>	<p>1: 10.8x ↑</p> <p>2: 10.5x ↗</p> <hr/> <p>Series 21.3</p> <p style="text-align: right;">144.5</p>	<p>5. Series Finals</p>  <p style="text-align: center;">8</p>	<p>1: 10.6x ↗</p> <p>2: 10.9x ↑</p> <hr/> <p>Series 21.5</p> <p style="text-align: right;">166.0</p>

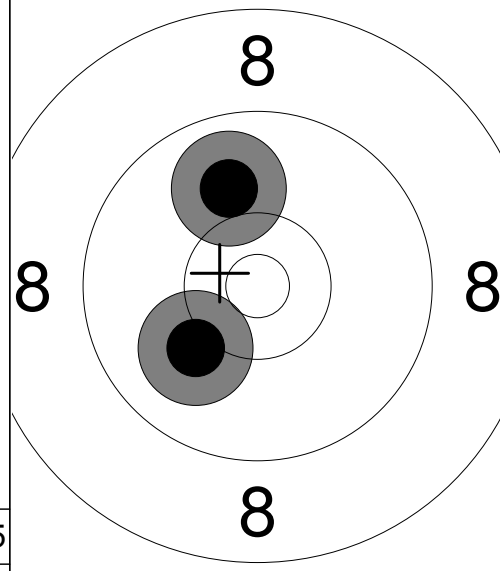
6. Series Finals /



1: 9.9 ↗
2: 9.6 ↖

Series 19.5
185.5

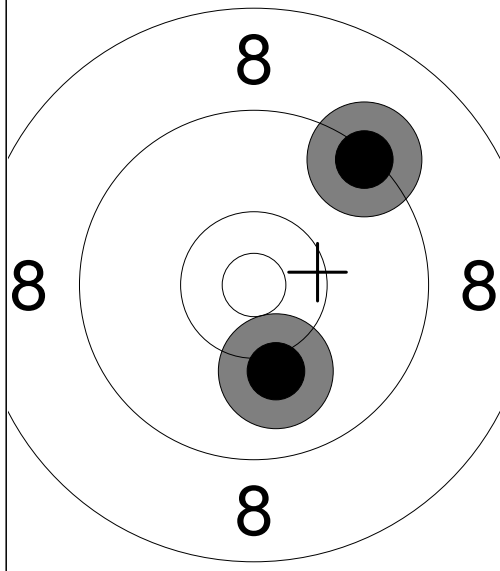
7. Series Finals /



1: 10.1 ↙
2: 9.9 ↗

Series 20.0
205.5

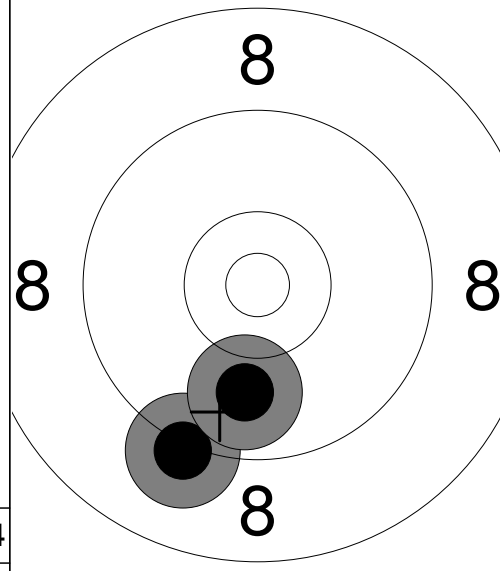
8. Series Finals /



1: 10.1 ↓
2: 9.3 ↗

Series 19.4
224.9

9. Series Finals /



1: 9.2 ↓
2: 9.9 ↓

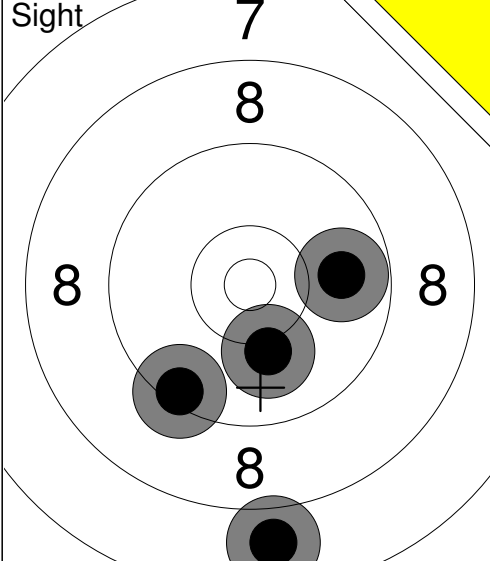
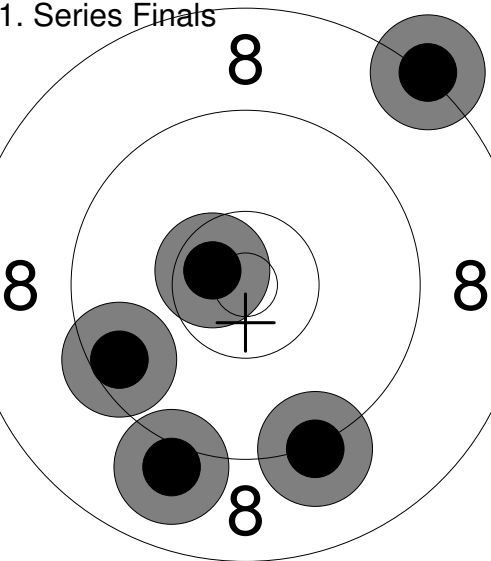
Series 19.1
244.0

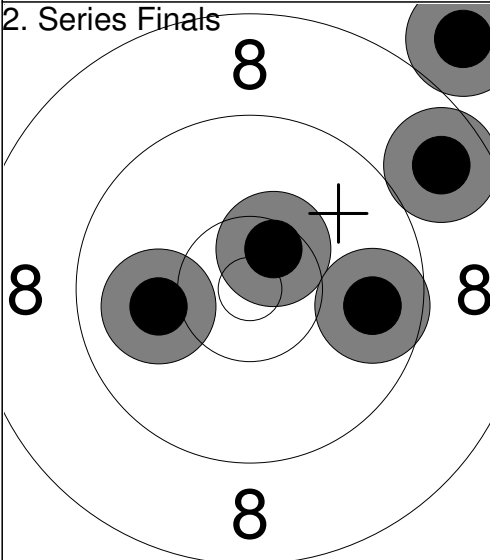
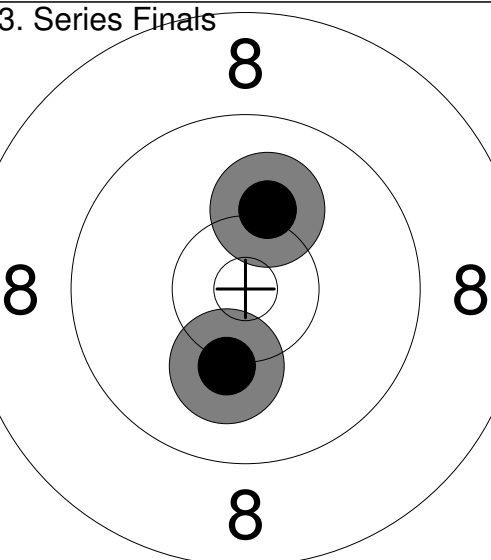
Relay 1	Lane 17	OLSEN Jesse
-------------------	-------------------	--------------------

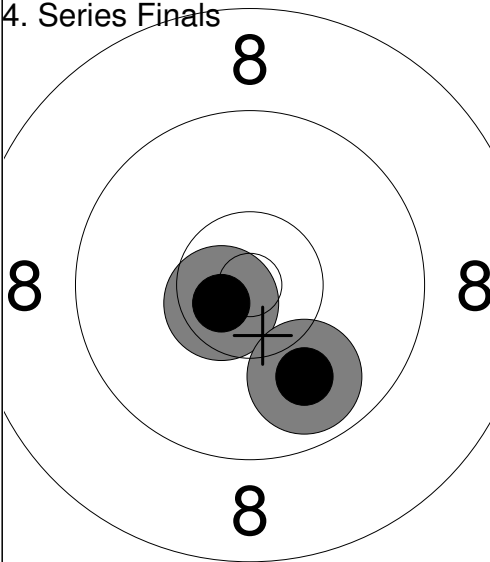
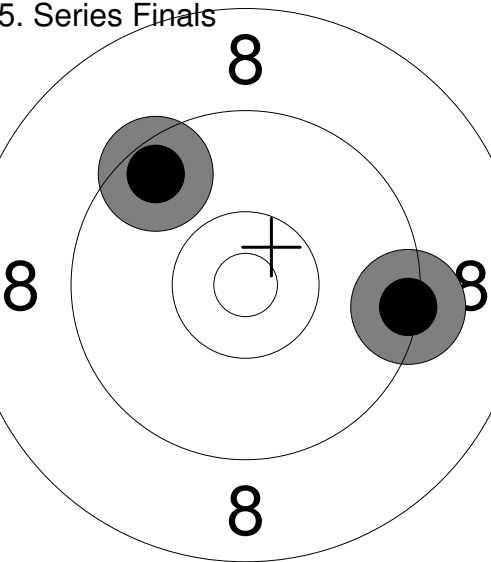
AHA Maple Leaf Open	SK	F	MP
---------------------	----	---	----

03.05.2026	2026 AHA F AP60M	Alberta Handgun Association
------------	------------------	-----------------------------

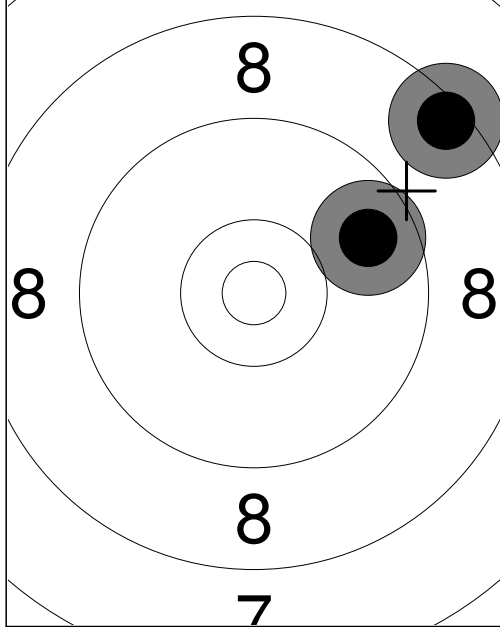
Comment	Signature
---------	-----------

<p>Sight</p> 	<p>1: 10.1 ↓ 2: 9.4 ↓ 3: 7.8 ↓ 4: 9.8 →</p>	<p>1. Series Finals</p> 	<p>1: 9.2 ↓ 2: 9.0 ↓ 3: 8.2 ↗ 4: 10.6x ↖ 5: 9.5 ↙</p>
Series 37.1		Series 46.5	
0.0		46.5	

<p>2. Series Finals</p> 	<p>1: 10.0 ← 2: 10.5x ↗ 3: 9.7 → 4: 8.7 ↗ 5: 7.7 ↗</p>	<p>3. Series Finals</p> 	<p>1: 10.1 ↑ 2: 10.2 ↓</p>
Series 46.6		Series 20.3	
93.1		113.4	

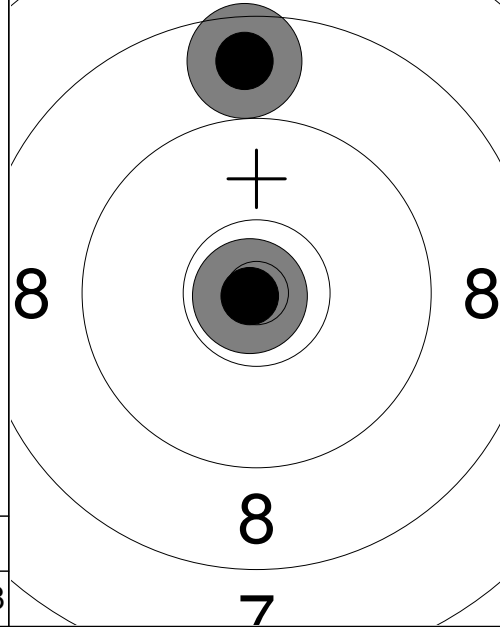
<p>4. Series Finals</p> 	<p>1: 10.6x ↖ 2: 9.9 ↓</p>	<p>5. Series Finals</p> 	<p>1: 9.3 → 2: 9.5 ↗</p>
Series 20.5		Series 18.8	
133.9		152.7	

6. Series Finals /



Series	18.1
	170.8

7. Series Finals /

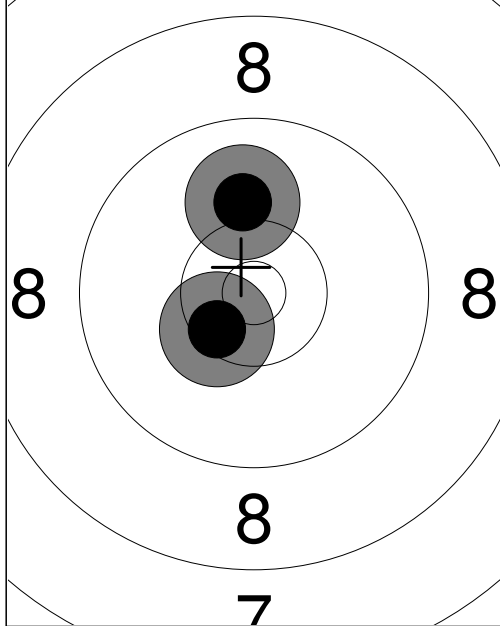


Series	19.6
	190.4

1: 8.4 ↗
2: 9.7 →

1: 10.9x ↙
2: 8.7 ↑

8. Series Finals /



Series	20.5
	210.9

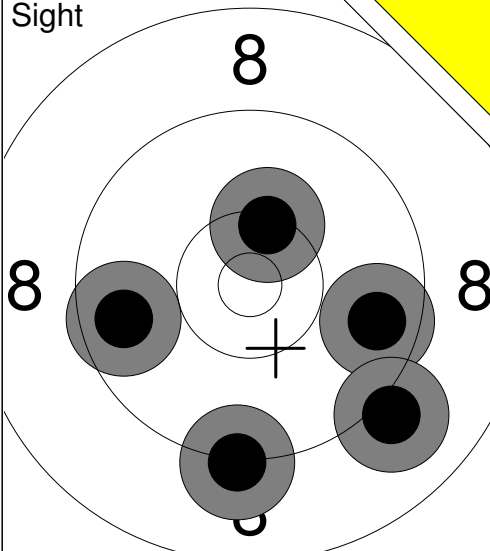
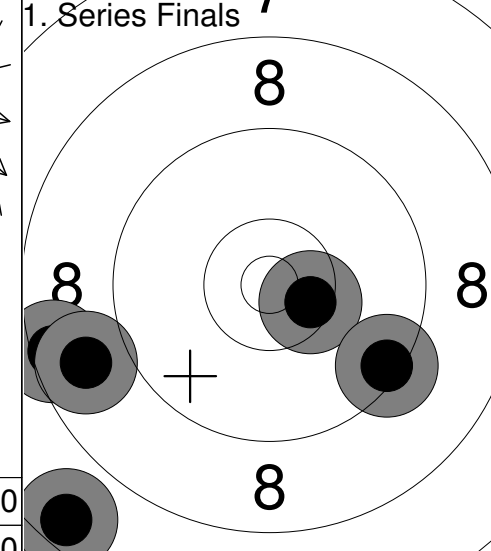
1: 10.4x ↙
2: 10.1 ↑

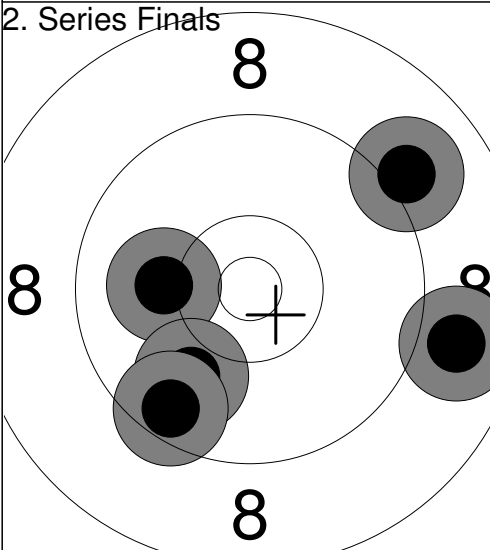
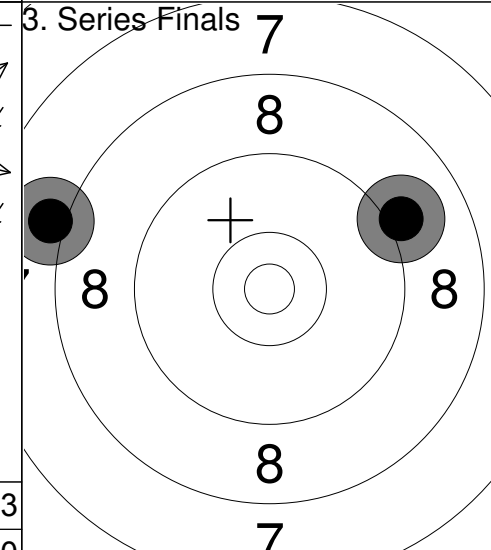
Relay 1	Lane 18	NEIL Jaden
-------------------	-------------------	-------------------

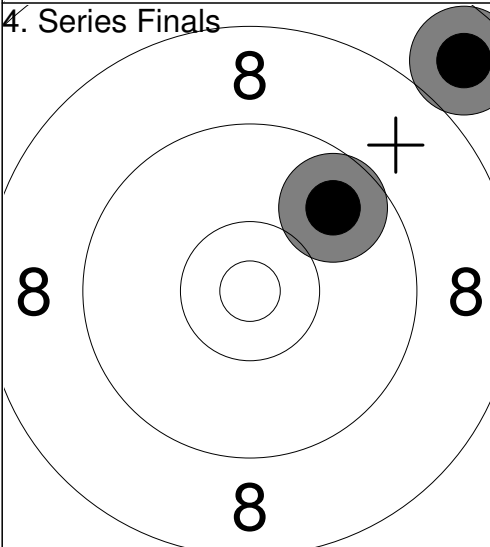
AHA Maple Leaf Open	AB	F	MP
---------------------	----	---	----

03.05.2026	2026 AHA F AP60M	Alberta Handgun Association
------------	------------------	-----------------------------

Comment	Signature
---------	-----------

<p>Sight</p> 	<p>1: 9.2 ↓ 2: 9.7 ← 3: 9.7 → 4: 9.1 ↘ 5: 10.3 ↑</p>	<p>1. Series Finals</p> 	<p>1: 8.5 ← 2: 8.8 ← 3: 10.5x → 4: 7.5 ↘ 5: 9.4 ↘</p>
Series 48.0		Series 44.7	
0.0		44.7	

<p>2. Series Finals</p> 	<p>1: 10.1 ← 2: 9.0 ↗ 3: 9.9 ↘ 4: 8.8 → 5: 9.5 ↘</p>	<p>3. Series Finals</p> 	<p>1: 8.0 ← 2: 9.1 ↗</p>
Series 47.3		Series 17.1	
92.0		109.1	

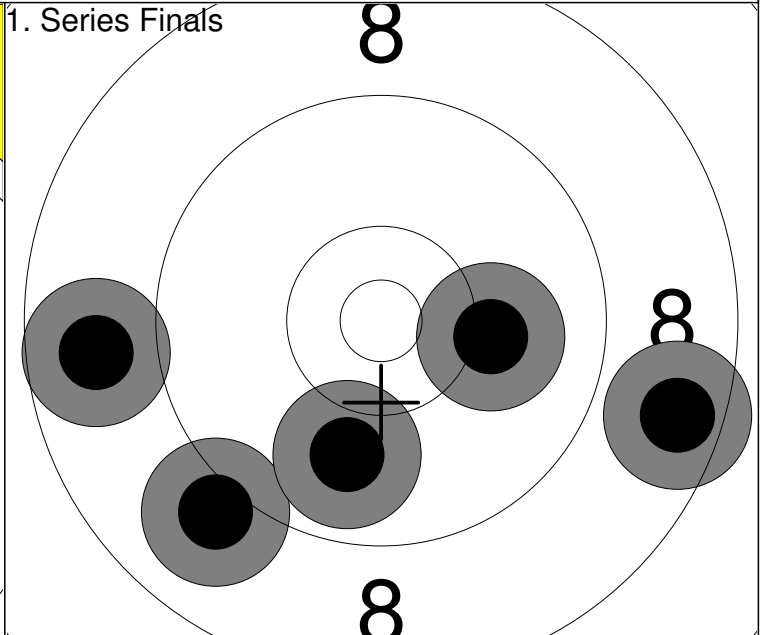
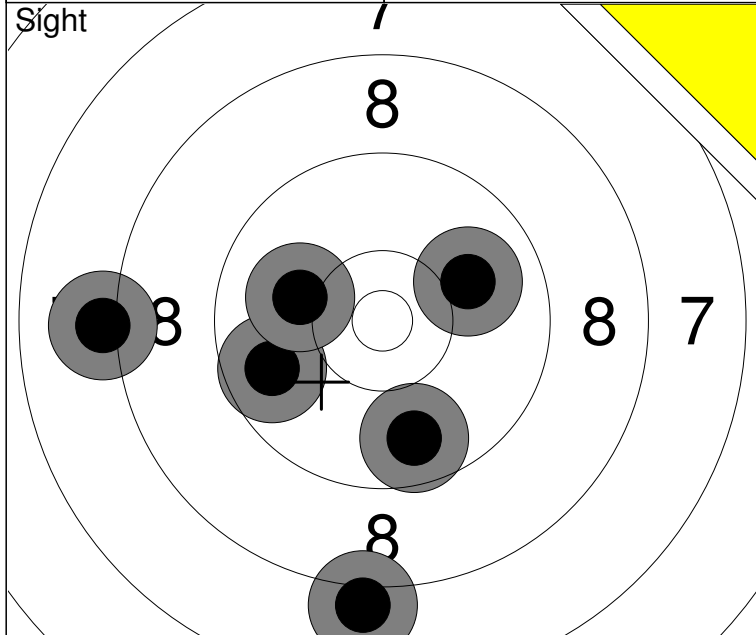
<p>4. Series Finals</p> 	<p>1: 7.7 ↗ 2: 9.7 ↗</p>		
Series 17.4			
126.5			

Relay 1	Lane 19	ZHANG Da tian
-------------------	-------------------	----------------------

AHA Maple Leaf Open	BC	F	MP
---------------------	----	---	----

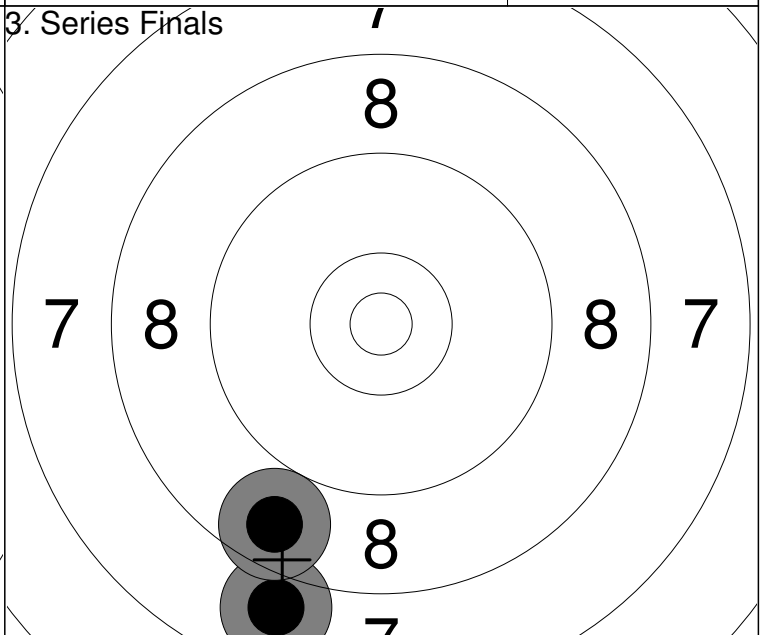
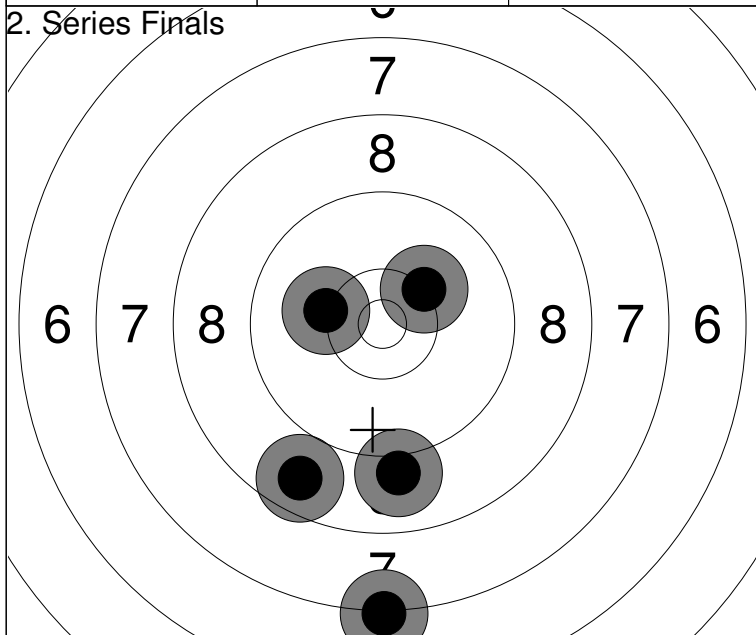
03.05.2026	2026 AHA F AP60M	Alberta Handgun Association
------------	------------------	-----------------------------

Comment	Signature
---------	-----------



1: 8.0 ↓	6: 10.1 ←				
2: 9.7 ←		Series	55.6		
3: 9.7 ↓					
4: 8.1 ←			0.0		
5: 10.0 →					

1: 9.0 ↙					
2: 9.9 ↓		Series	46.4		
3: 8.8 ←					
4: 8.6 →			46.4		
5: 10.1 →					



1: 8.7 ↙					
2: 9.0 ↓		Series	45.3		
3: 10.2 ↗					
4: 10.2 ←			91.7		
5: 7.2 ↓					

1: 7.9 ↓					
2: 8.7 ↓		Series	16.6		
			108.3		