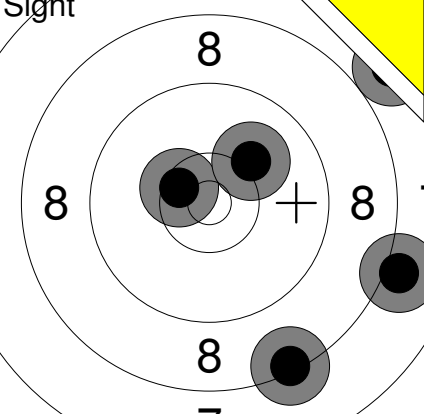
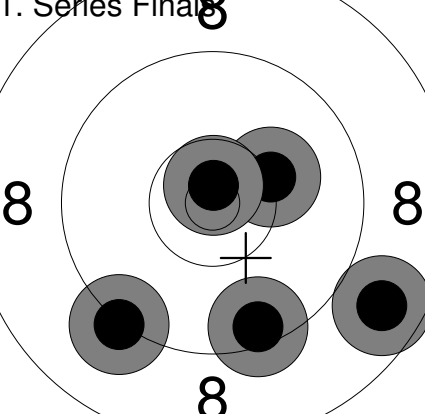
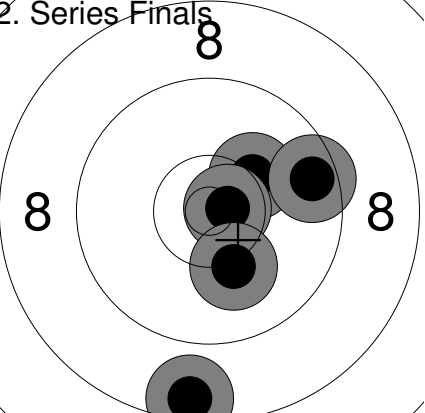
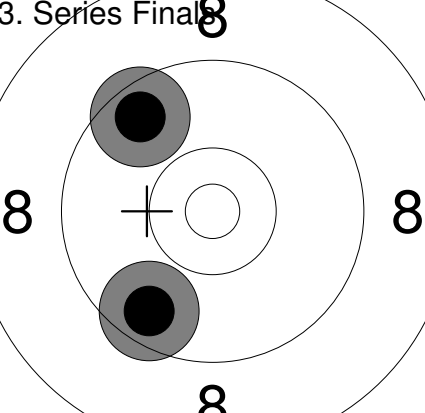
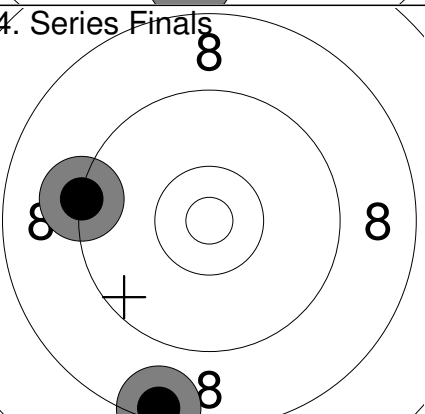
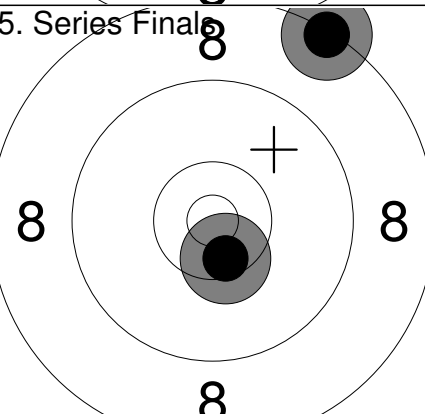
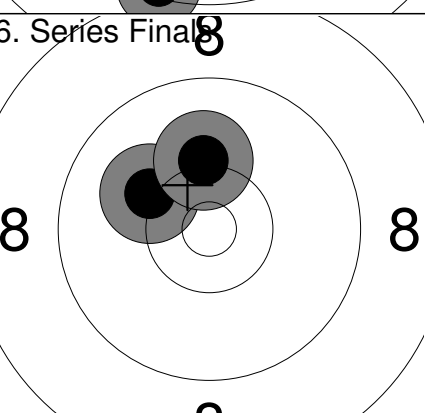
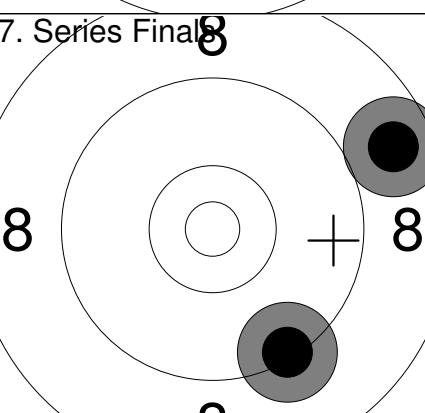


Relay 1	Lane 12	HAN Kally
-------------------	-------------------	------------------

AHA Maple Leaf Open	BC	F	WP
---------------------	----	---	----

03.05.2026	2026 AHA F AP60W	Alberta Handgun Association
------------	------------------	-----------------------------

Comment	Signature
---------	-----------

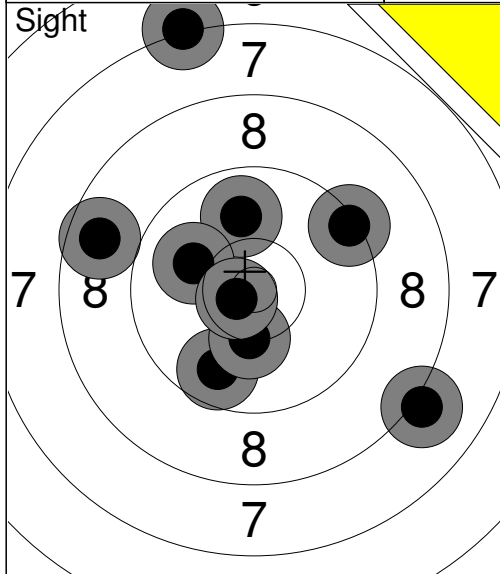
<p>Sight</p> 	<p>1: 7.7 ↗ 2: 10.5x ↗ 3: 10.1 ↗ 4: 8.0 → 5: 8.3 ↓</p>	<p>1. Series Finals</p> 	<p>1: 9.2 ↘ 2: 8.7 → 3: 9.5 ↓ 4: 10.2 → 5: 10.8x ↑</p>
<p style="text-align: right;">Series 44.6</p>		<p style="text-align: right;">Series 48.4</p>	
<p style="text-align: right;">0.0</p>		<p style="text-align: right;">48.4</p>	
<p>2. Series Finals</p> 	<p>1: 10.2 ↗ 2: 9.6 → 3: 10.7x → 4: 10.2 ↓ 5: 8.5 ↓</p>	<p>3. Series Finals</p> 	<p>1: 9.6 ↖ 2: 9.6 ↓</p>
<p style="text-align: right;">Series 49.2</p>		<p style="text-align: right;">Series 19.2</p>	
<p style="text-align: right;">97.6</p>		<p style="text-align: right;">116.8</p>	
<p>4. Series Finals</p> 	<p>1: 8.4 ↓ 2: 9.2 ←</p>	<p>5. Series Finals</p> 	<p>1: 8.3 ↗ 2: 10.5x ↓</p>
<p style="text-align: right;">Series 17.6</p>		<p style="text-align: right;">Series 18.8</p>	
<p style="text-align: right;">134.4</p>		<p style="text-align: right;">153.2</p>	
<p>6. Series Finals</p> 	<p>1: 10.2 ↖ 2: 10.2 ↑</p>	<p>7. Series Finals</p> 	<p>1: 9.3 ↓ 2: 8.7 →</p>
<p style="text-align: right;">Series 20.4</p>		<p style="text-align: right;">Series 18.0</p>	
<p style="text-align: right;">173.6</p>		<p style="text-align: right;">191.6</p>	

Relay 1	Lane 13	LI Wenhan
-------------------	-------------------	------------------

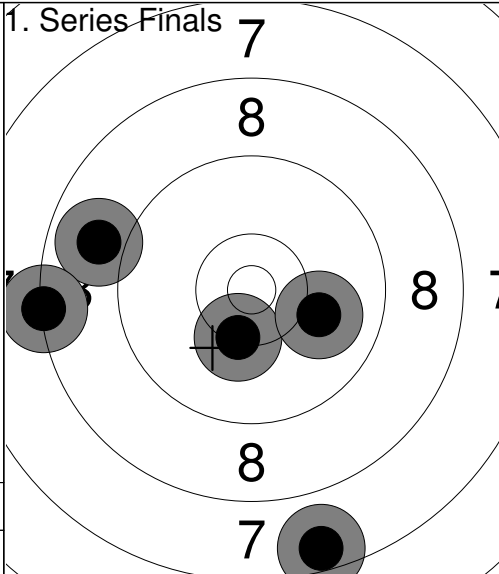
AHA Maple Leaf Open	BC	F	WP
---------------------	----	---	----

03.05.2026	2026 AHA F AP60W	Alberta Handgun Association
------------	------------------	-----------------------------

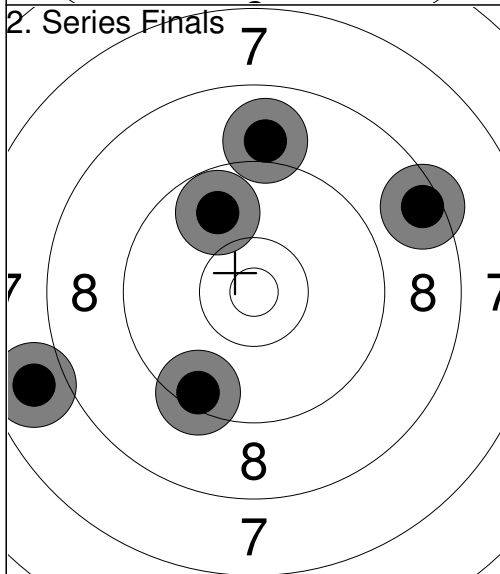
Comment	Signature
---------	-----------



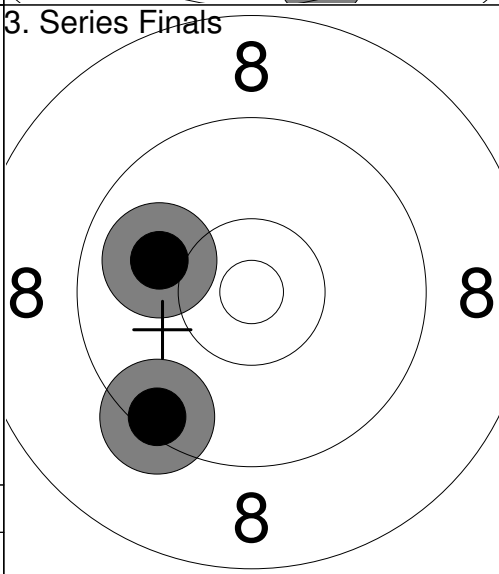
1:	7.2	↑
2:	9.3	↗
3:	9.9	↑
4:	9.7	↓
5:	8.1	↘
6:	10.0	←
7:	10.3	↓
8:	10.7x	←
9:	8.7	←
Series	83.9	
	0.0	



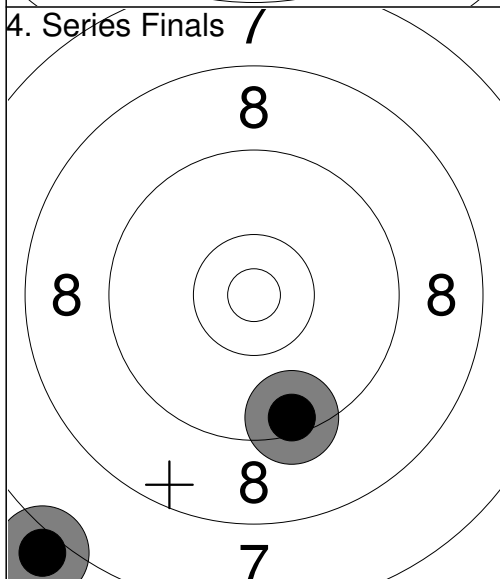
1:	8.9	←
2:	8.3	←
3:	7.5	↓
4:	10.3	↓
5:	10.0	↘
Series	45.0	
	45.0	



1:	8.5	↗
2:	9.0	↑
3:	9.4	↓
4:	7.8	←
5:	9.8	↑
Series	44.5	
	89.5	



1:	10.0	←
2:	9.4	↘
Series	19.4	
	108.9	



1:	7.0	↘
2:	9.4	↓
Series	16.4	
	125.3	

Relay 1	Lane 14	BRITTON Kim
-------------------	-------------------	--------------------

AHA Maple Leaf Open	AB	F	WP
---------------------	----	---	----

03.05.2026	2026 AHA F AP60W	Alberta Handgun Association
------------	------------------	-----------------------------

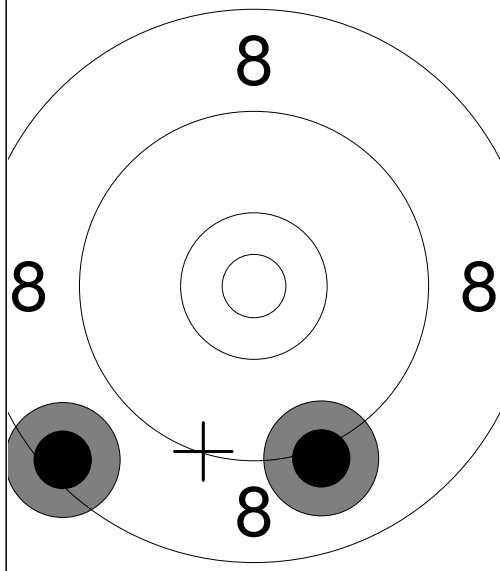
Comment	Signature
---------	-----------

<p>Sight</p>	<p>1. Series Finals</p>	<p>1: 10.2 ↙ 2: 9.6 ↘ 3: 10.4x → 4: 8.3 ↑ 5: 9.1 → 6: 10.0 ←</p> <p>1: 8.2 ↖ 2: 9.4 ↗ 3: 10.2 ↑ 4: 10.3 → 5: 10.2 ↑</p>
Series 57.6	Series 48.3	
0.0	48.3	

<p>2. Series Finals</p>	<p>3. Series Finals</p>	<p>1: 9.1 ← 2: 10.6x ↖ 3: 10.3 ↗ 4: 9.8 → 5: 9.7 ↗</p> <p>1: 9.3 ↖ 2: 10.2 ↘</p>
Series 49.5	Series 19.5	
97.8	117.3	

<p>4. Series Finals</p>	<p>5. Series Finals</p>	<p>1: 10.3 → 2: 8.8 ↑</p> <p>1: 8.8 ↘ 2: 10.3 ↖</p>
Series 19.1	Series 19.1	
136.4	155.5	

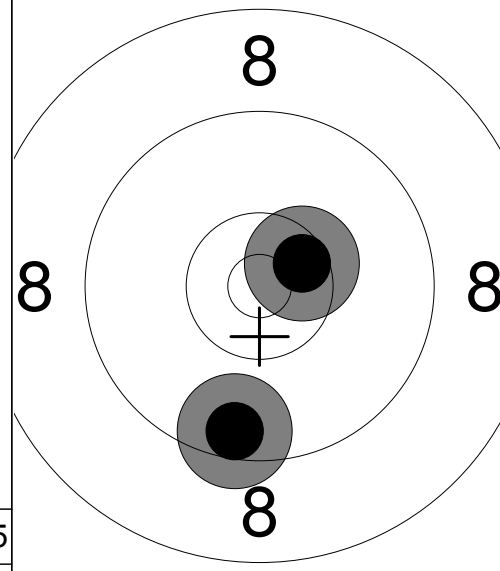
6. Series Finals /



1: 8.4 ↙
2: 9.1 ↓

Series 17.5
173.0

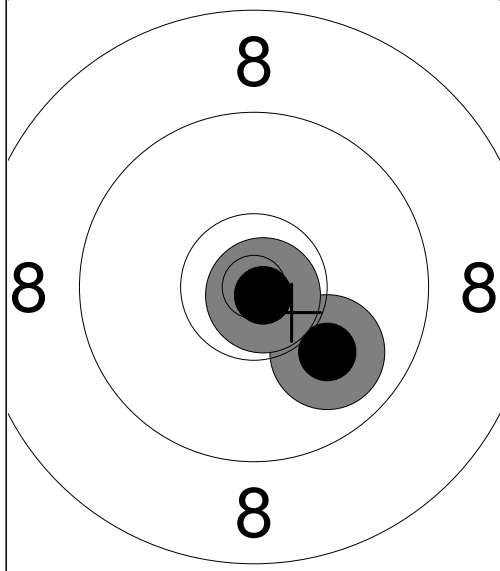
7. Series Finals /



1: 10.5x ↗
2: 9.5 ↓

Series 20.0
193.0

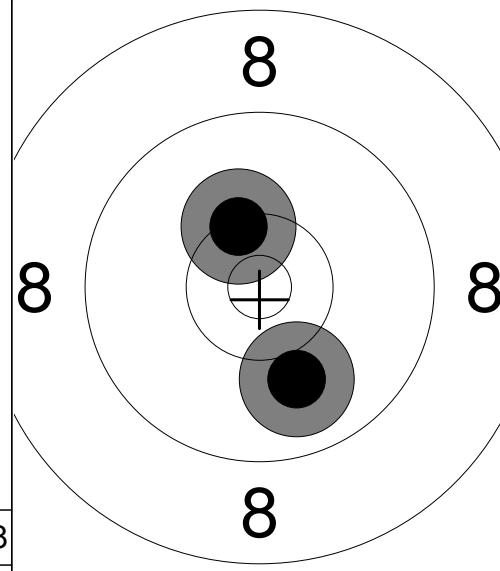
8. Series Finals /



1: 10.0 ↘
2: 10.8x ↘

Series 20.8
213.8

9. Series Finals /



1: 10.3 ↑
2: 10.0 ↓

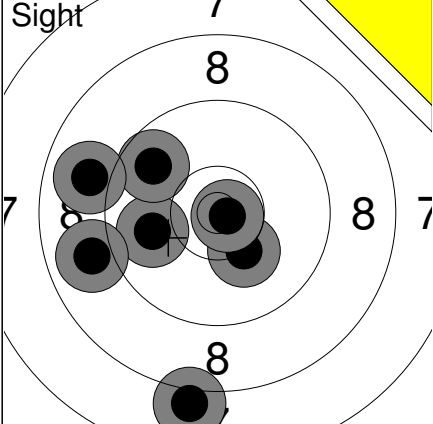
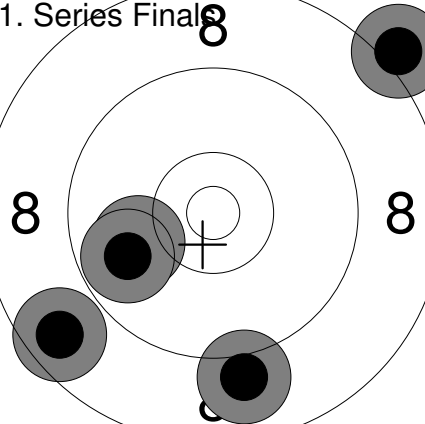
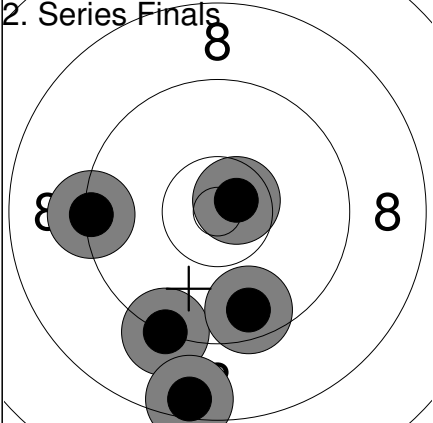
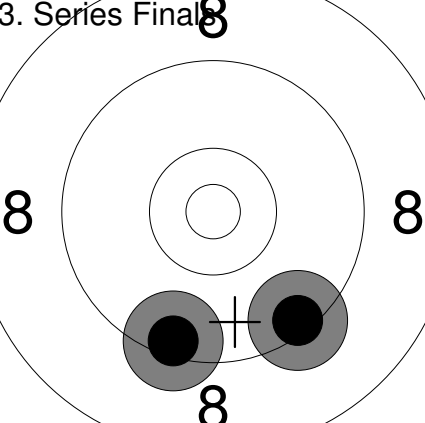
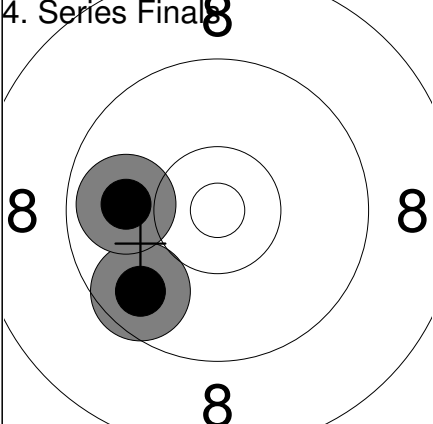
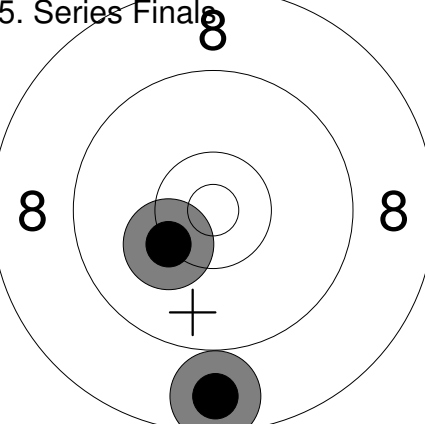
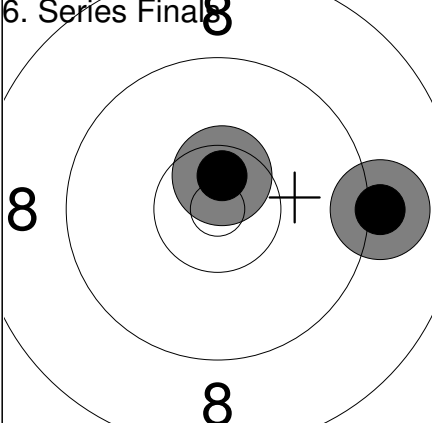
Series 20.3
234.1

Relay 1	Lane 15	ZHANG Sissi yinhan
-------------------	-------------------	---------------------------

AHA Maple Leaf Open	BC	F	WP
---------------------	----	---	----

03.05.2026	2026 AHA F AP60W	Alberta Handgun Association
------------	------------------	-----------------------------

Comment	Signature
---------	-----------

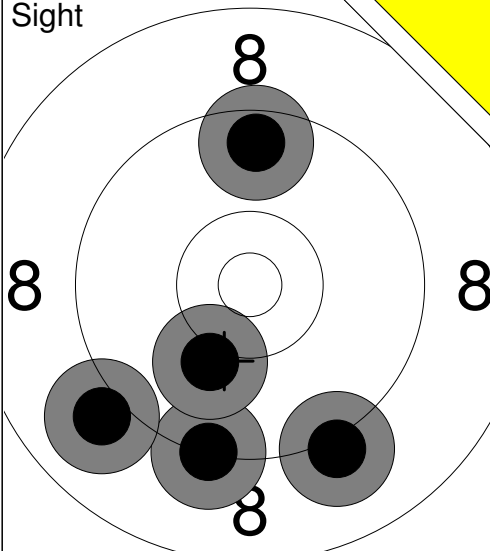
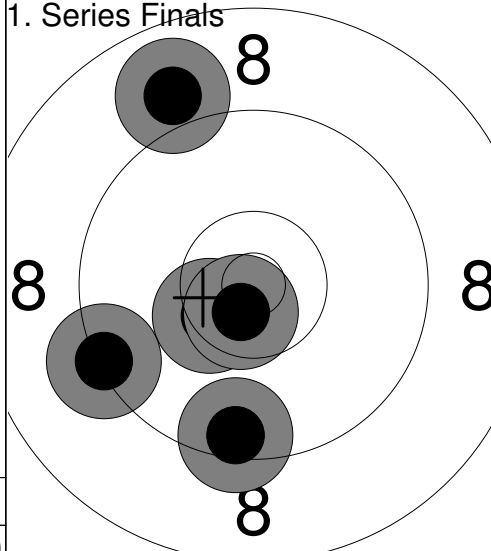
<p>Sight</p> 	<p>1: 10.2 ↘ 2: 9.9 ← 3: 9.7 ↗ 4: 10.8x → 5: 8.9 ← 6: 8.0 ↓ 7: 8.9 ←</p>	<p>1. Series Finals</p> 	<p>1: 10.0 ← 2: 8.0 ↗ 3: 9.0 ↓ 4: 9.8 ← 5: 8.6 ↘</p>
<p>Series 66.4</p>		<p>Series 45.4</p>	
<p>0.0</p>		<p>45.4</p>	
<p>2. Series Finals</p> 	<p>1: 9.2 ↓ 2: 9.6 ↓ 3: 9.3 ← 4: 10.7x ↗ 5: 8.5 ↓</p>	<p>3. Series Finals</p> 	<p>1: 9.4 ↓ 2: 9.4 ↓</p>
<p>Series 47.3</p>		<p>Series 18.8</p>	
<p>92.7</p>		<p>111.5</p>	
<p>4. Series Finals</p> 	<p>1: 9.7 ↘ 2: 9.9 ←</p>	<p>5. Series Finals</p> 	<p>1: 8.7 ↓ 2: 10.3 ↘</p>
<p>Series 19.6</p>		<p>Series 19.0</p>	
<p>131.1</p>		<p>150.1</p>	
<p>6. Series Finals</p> 	<p>1: 9.1 → 2: 10.6x ↑</p>		
<p>Series 19.7</p>			
<p>169.8</p>			

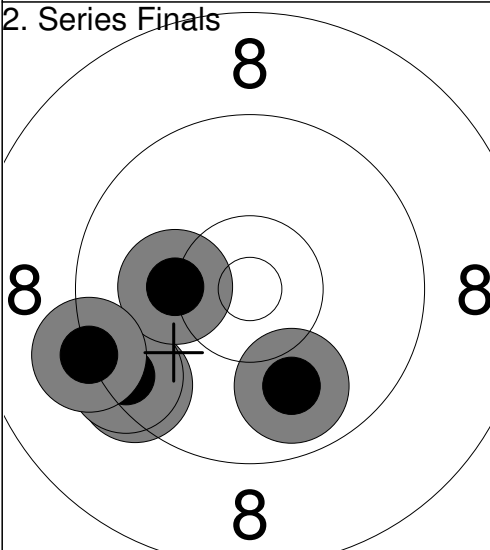
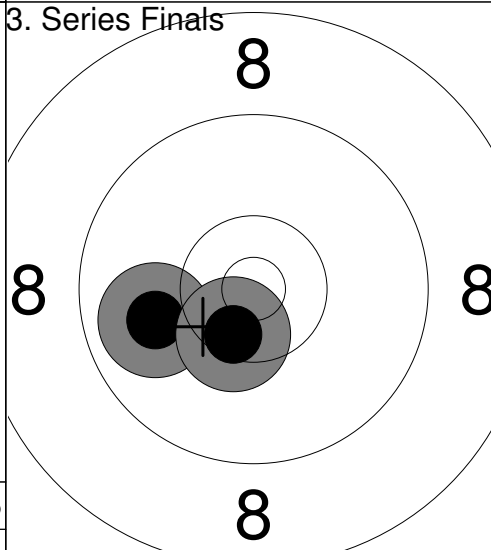
Relay 1	Lane 16	GUSTAFSON Elizabeth		
-------------------	-------------------	----------------------------	--	--

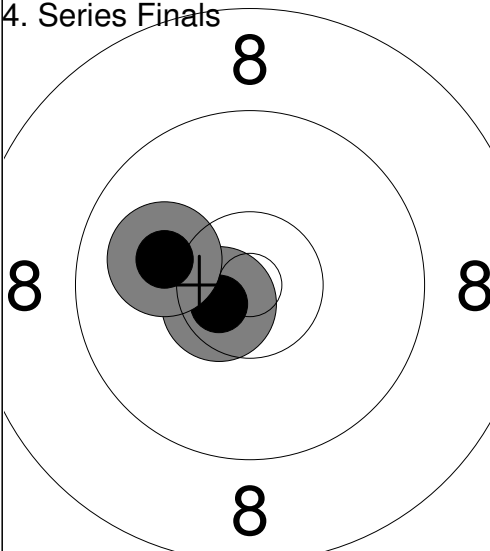
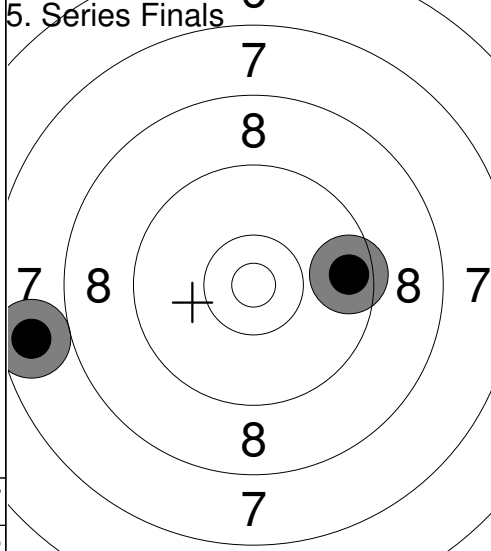
AHA Maple Leaf Open	AB	F	WP
---------------------	----	---	----

03.05.2026	2026 AHA F AP60W	Alberta Handgun Association	
------------	------------------	-----------------------------	--

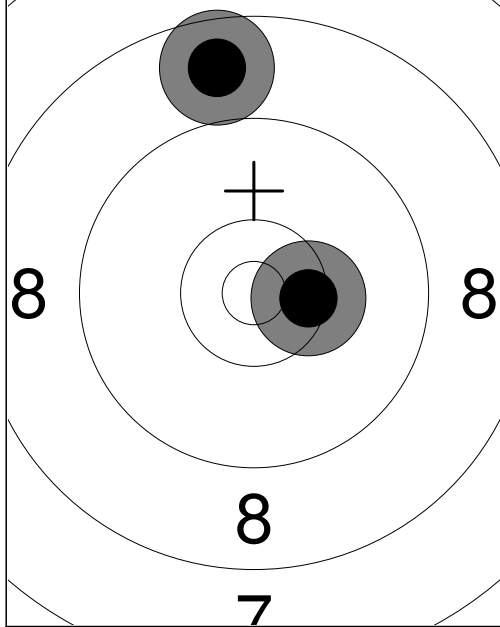
Comment	Signature		
---------	-----------	--	--

<p>Sight</p> 	<p>1. Series Finals</p> 	<p>1: 9.3 ↓ 2: 10.1 ↓ 3: 9.6 ↑ 4: 9.0 ↙ 5: 9.1 ↓</p> <p>1: 10.4x ↙ 2: 8.9 ↗ 3: 10.7x ↓ 4: 9.3 ↙ 5: 9.5 ↓</p>
Series 47.1	Series 48.8	
0.0	48.8	

<p>2. Series Finals</p> 	<p>3. Series Finals</p> 	<p>1: 9.5 ↙ 2: 9.5 ↙ 3: 10.2 ← 4: 9.9 ↓ 5: 9.2 ←</p> <p>1: 9.9 ← 2: 10.5x ↓</p>
Series 48.3	Series 20.4	
97.1	117.5	

<p>4. Series Finals</p> 	<p>5. Series Finals</p> 	<p>1: 10.6x ↙ 2: 10.1 ←</p> <p>1: 9.6 → 2: 7.7 ←</p>
Series 20.7	Series 17.3	
138.2	155.5	

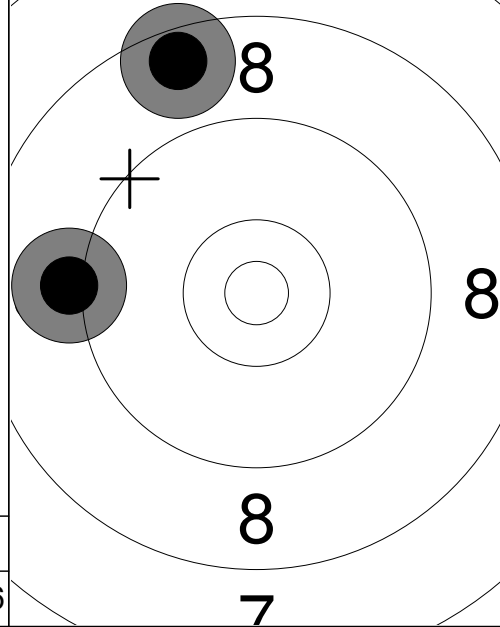
6. Series Finals /



1: 10.4x →
2: 8.7 ↑

Series	19.1
	174.6

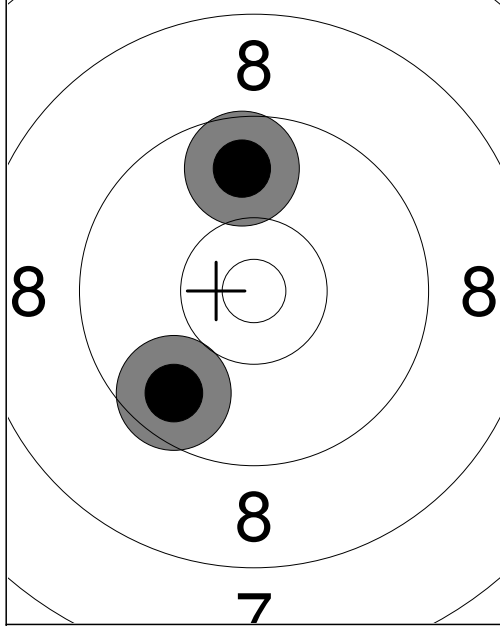
7. Series Finals /



1: 8.5 ↑
2: 9.1 ←

Series	17.6
	192.2

8. Series Finals /



1: 9.7 ↙
2: 9.7 ↑

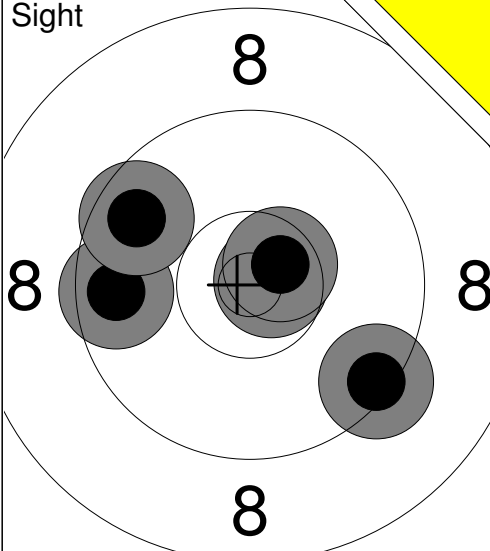
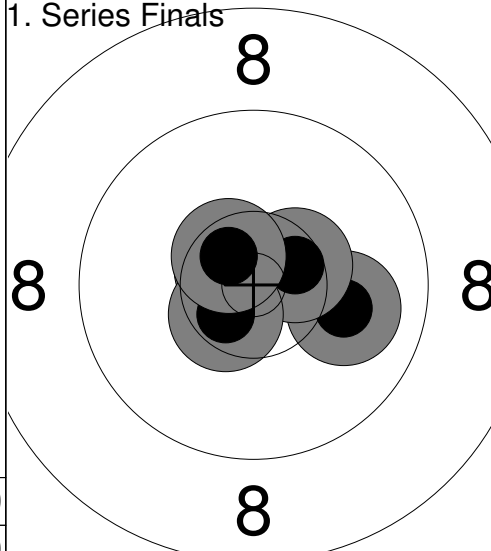
Series	19.4
	211.6

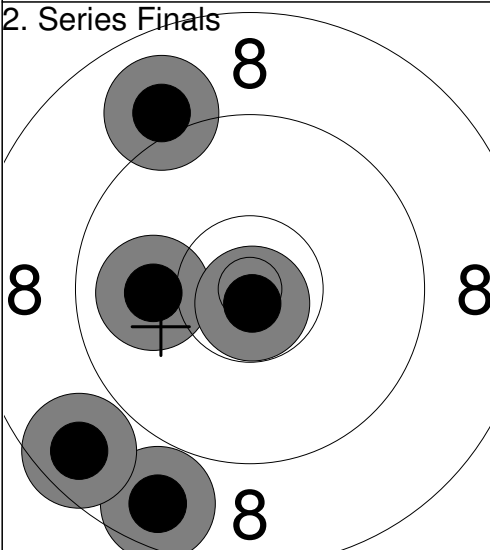
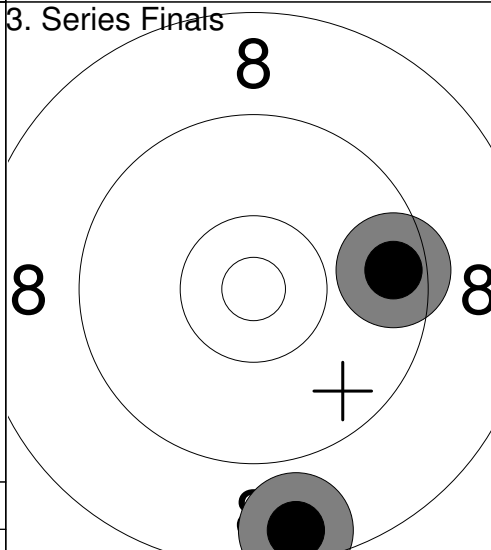
Relay 1	Lane 17	KIEJKO Lynda
-------------------	-------------------	---------------------

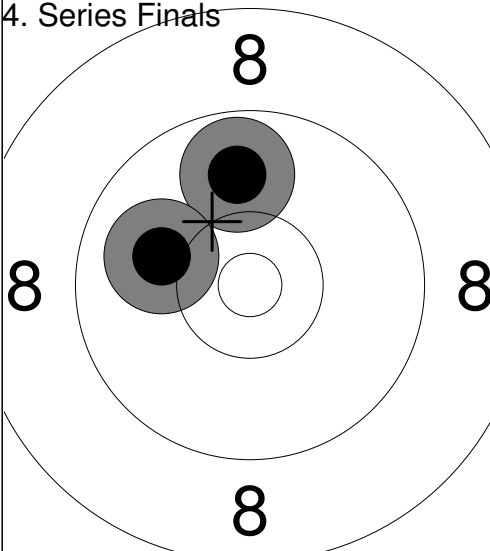
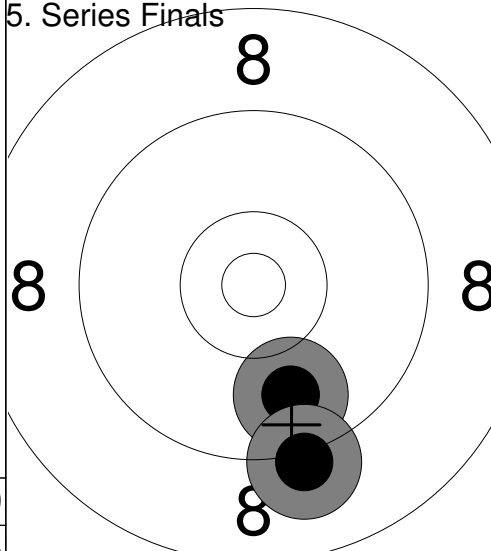
AHA Maple Leaf Open	AB	F	WP
---------------------	----	---	----

03.05.2026	2026 AHA F AP60W	Alberta Handgun Association
------------	------------------	-----------------------------

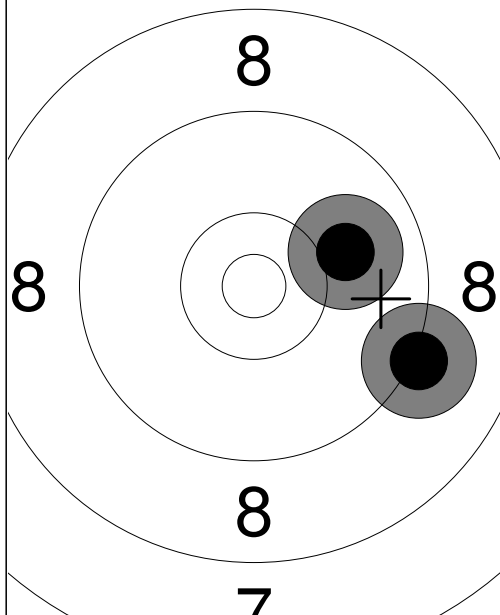
Comment	Signature
---------	-----------

<p>Sight</p> 	<p>1: 9.4 ↘ 2: 10.7x → 3: 9.6 ← 4: 9.7 ↖ 5: 10.6x ↗</p> <p>Series 50.0 0.0</p>	<p>1. Series Finals</p>  <p>1: 10.0 → 2: 10.7x ↖ 3: 10.5x ↗ 4: 10.6x ↙ 5: 10.6x ↖</p> <p>Series 52.4 52.4</p>
---	--	---

<p>2. Series Finals</p> 	<p>1: 9.0 ↖ 2: 10.0 ← 3: 10.8x ↓ 4: 8.7 ↓ 5: 8.6 ↙</p> <p>Series 47.1 99.5</p>	<p>3. Series Finals</p>  <p>1: 8.5 ↓ 2: 9.6 →</p> <p>Series 18.1 117.6</p>
---	--	---

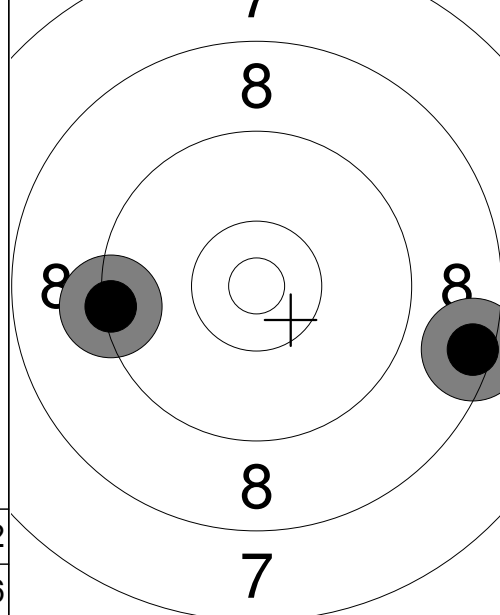
<p>4. Series Finals</p> 	<p>1: 9.9 ↑ 2: 10.0 ←</p> <p>Series 19.9 137.5</p>	<p>5. Series Finals</p>  <p>1: 9.8 ↓ 2: 9.1 ↓</p> <p>Series 18.9 156.4</p>
--	--	--

6. Series Finals /



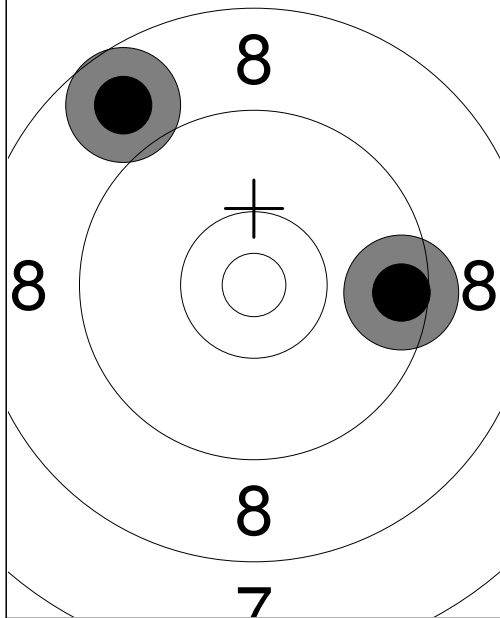
Series	19.2
	175.6

7. Series Finals 7



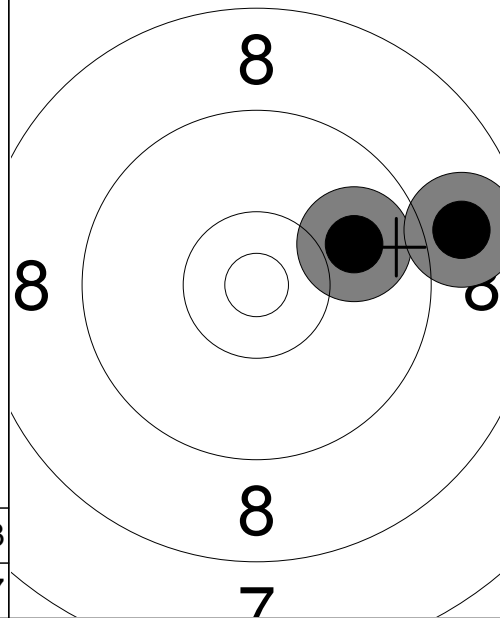
Series	17.8
	193.4

8. Series Finals /



Series	18.3
	211.7

9. Series Finals /



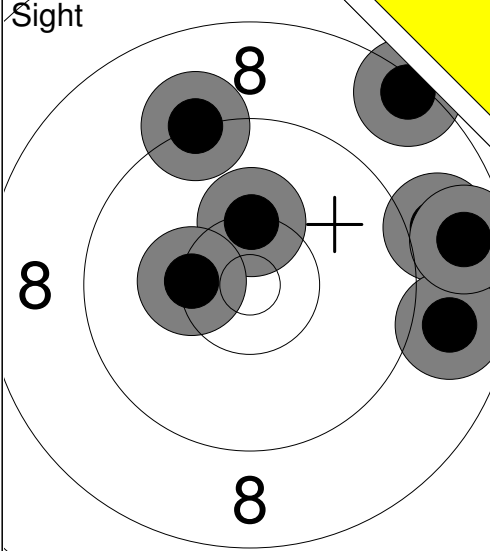
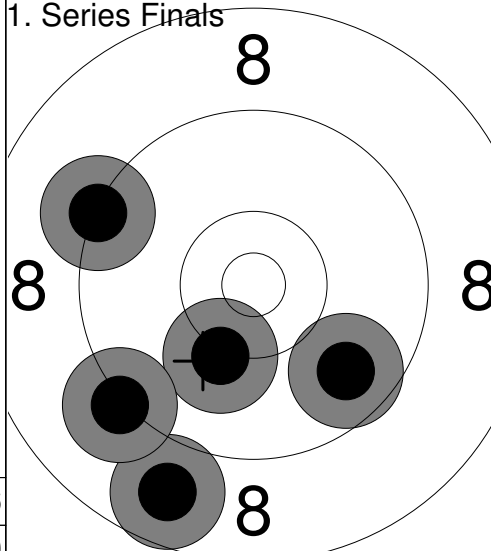
Series	18.8
	230.5

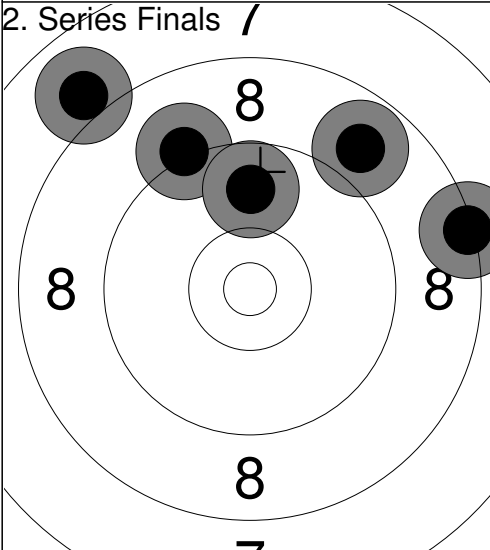
Relay 1	Lane 18	WANG Christine		
-------------------	-------------------	-----------------------	--	--

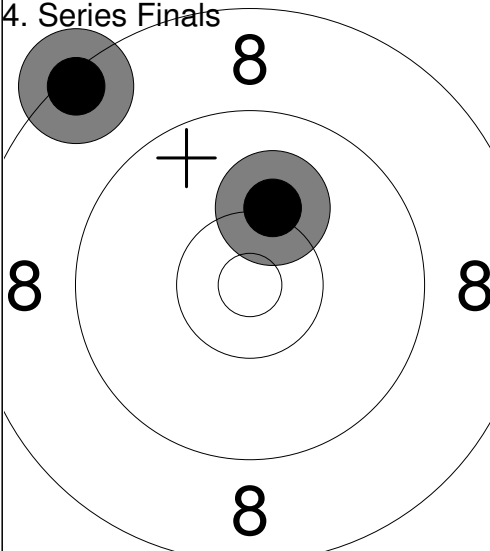
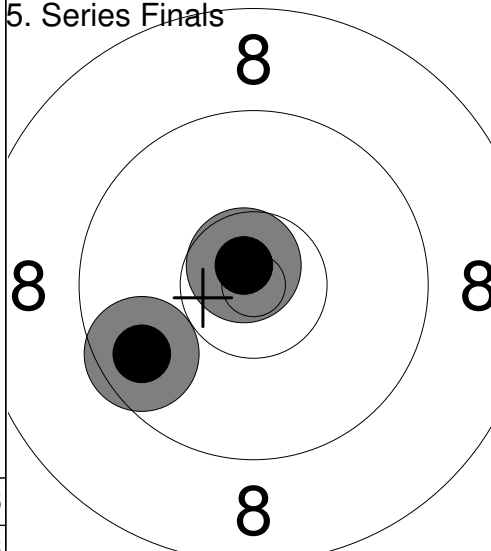
AHA Maple Leaf Open	BC	F	WP
---------------------	----	---	----

03.05.2026	2026 AHA F AP60W	Alberta Handgun Association	
------------	------------------	-----------------------------	--

Comment	Signature		
---------	-----------	--	--

<p>Sight</p> 	<p>1: 8.4 ↗ 2: 8.9 → 3: 10.3 ↑ 4: 8.8 → 5: 10.3 ← 6: 8.7 → 7: 9.2 ↗</p> <p>Series 64.6 0.0</p>	<p>1. Series Finals</p>  <p>1: 9.7 ↘ 2: 8.7 ↘ 3: 10.2 ↘ 4: 9.3 ↖ 5: 9.2 ↘</p> <p>Series 47.1 47.1</p>
---	--	---

<p>2. Series Finals /</p> 	<p>1: 8.8 ↗ 2: 9.2 ↗ 3: 8.3 → 4: 9.8 ↑ 5: 8.0 ↗</p> <p>Series 44.1 91.2</p>	<p>3. Series Finals</p>  <p>1: 9.4 ↗ 2: 10.4x ↖</p> <p>Series 19.8 111.0</p>
---	---	---

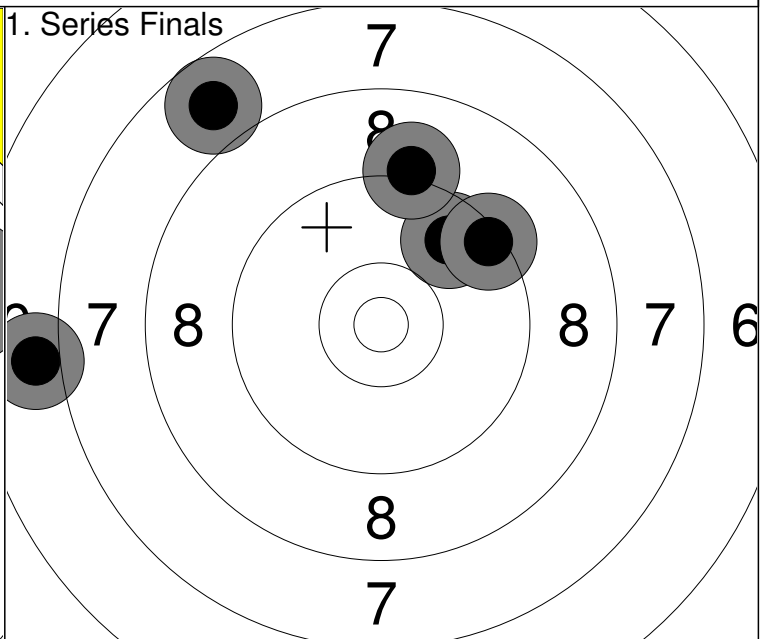
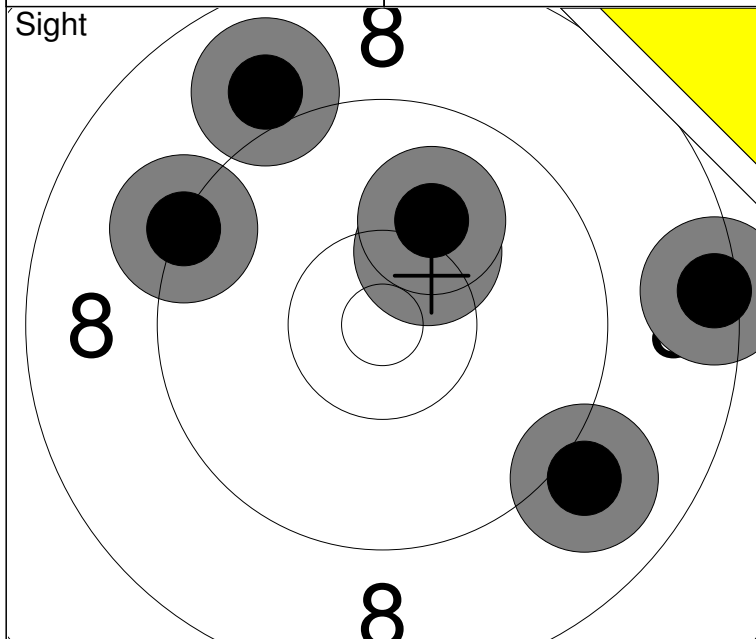
<p>4. Series Finals</p> 	<p>1: 10.2 ↑ 2: 8.4 ↖</p> <p>Series 18.6 129.6</p>	<p>5. Series Finals</p>  <p>1: 10.7x ↗ 2: 9.7 ↖</p> <p>Series 20.4 150.0</p>
--	--	--

Relay **1** Lane **19** **NELSON Makayla**

AHA Maple Leaf Open SK F WP

03.05.2026 2026 AHA F AP60W Alberta Handgun Association

Comment Signature



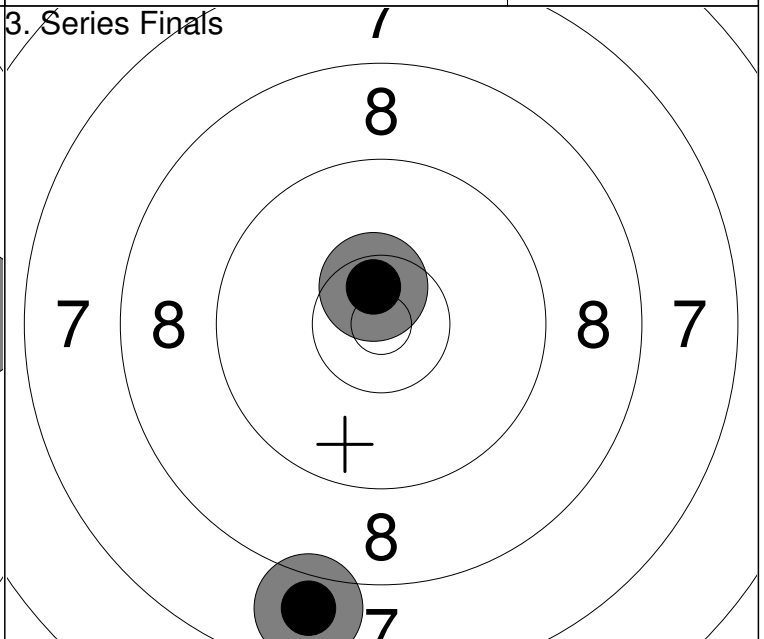
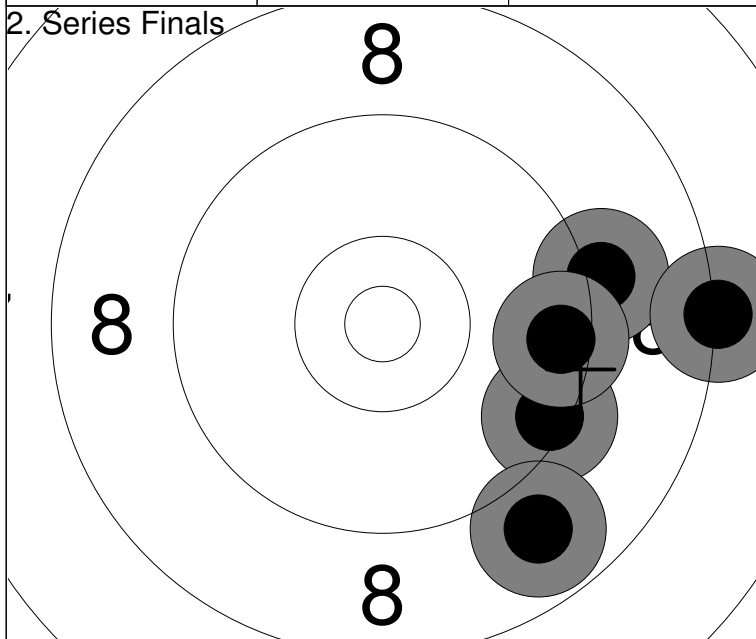
1:	8.4	→
2:	9.0	↗
3:	9.0	↘
4:	10.3	↗
5:	10.1	↗

6:	9.3	←
----	-----	---

Series	56.1
	0.0

1:	7.8	↖
2:	9.7	↗
3:	9.1	↑
4:	9.4	↗
5:	6.9	←

Series	42.9
	42.9



1:	9.4	↘
2:	9.1	→
3:	9.5	→
4:	8.2	→
5:	8.8	↘

Series	45.0
	87.9

1:	7.9	↘
2:	10.6x	↑

Series	18.5
	106.4